



USER MANUAL

CORDLESS CIRCULAR SAW 12V d.c.

FERREX®



AFTER SALES SUPPORT

715335 ^{W²}

AU

☎ 1 800 130 489

📧 SERVICE-AU@PROTEL-SERVICE.COM

MODEL: FBT-CCS008

06/2026

BATAVIA B.V.

WETH. WASSEBALIESTRAAT 6D
NL-7951 SN STAPHORST, NL
WWW.BATAVIAPOWER.COM

3
YEAR WARRANTY



CONTENT

1 General	3
2 Safety	3
2.1 Explanation of signal words	3
2.2 Explanation of symbols	3
2.3 General power tool safety warnings	3
2.4 Safety instructions for all saws	5
2.5 Further safety instructions for all saws	5
2.6 Additional circular saw safety	5
2.7 Before use	6
2.8 Additional safety instructions for batteries and chargers	6
2.9 Intended use	7
3 Scope of delivery	7
4 Product components	7
5 Before first use	8
5.1 Check product and scope of delivery	8
5.2 Basic cleaning	8
5.3 Assembly/disassembly of the saw blades	8
5.4 Instructions for correct use of the dust extraction system	8
6 Use	8
6.1 Handling the circular saw	8
6.2 Making a cut	9
6.3 Setting the miter angle	9
6.4 Adjusting the cutting depth	9
6.5 LED light	9
7 Accessories	9
8 Cleaning and maintenance	9
8.1 Cleaning	9
8.2 Maintenance	9
8.3 Storage	9
8.4 Transport	9
9 Technical data	10
9.1 Total vibration and noise emission values	10
9.2 Charging via USB	10
10 Waste disposal and recycling	10
10.1 Disposing of the Packaging	10
10.2 Disposing of the Product	10
10.3 Battery disposal	10
11 Warranty	10



1 GENERAL



User manuals provide useful tips on how to use your new device. They help you to use all the functions, prevent misunderstandings, and avoid damage. Please take the time to read this manual carefully and keep it as a

reference.

Please read all safety instructions!

This manual contains important information about operating and handling the device. Keep this user manual for future reference. Please pass it on together with the device if it is handed over to third parties. This manual is available in PDF format at www.ferrex12vpower.com.

2 SAFETY

2.1 EXPLANATION OF SIGNAL WORDS

The following signal words are used in this manual, on the product, and/or on the packaging.

DANGER!

- » This signal word indicates a hazardous situation which, if not avoided, will result in death or serious injury.

WARNING!

- » This signal word indicates a hazardous situation which, if not avoided, could result in death or serious injury.

CAUTION!

- » This signal word indicates a hazardous situation which, if not avoided, could result in minor or moderate injury.

CAUTION!

- » This signal word indicates a hazardous situation which, if not avoided, could result in property damage.

NOTE

- » This signal word is a preferred signal word for tips and practices that are not related to personal injury.

2.2 EXPLANATION OF SYMBOLS

The following symbols are used in the user manual or on the product:



WARNING – Read the instructions to reduce the risk of injury.



Always wear hearing protection. Exposure to noise may cause hearing damage.



Wear safety glasses. Sparks generated during operation, or splinters, chips, and dust from the machine can cause eye damage.



Wear a dust mask. Harmful substances may be released when working with wood and other materials. Do not process materials containing asbestos!



Do not expose the battery to temperatures above 40 °C.



Do not expose the battery to fire. Explosion hazard!



Prevent the battery from coming into contact with water. Do not immerse the battery in water. Explosion hazard!



RCM stands for: "Regulatory Compliance Mark". This means "Compliant with Australian regulations". With the RCM mark, the manufacturer confirms that this unit complies with the applicable Australian regulations.

2.3 GENERAL POWER TOOL SAFETY WARNINGS

WARNING!

- » **Read all safety warnings, instructions, illustrations and specifications provided with this power tool.** Failure to follow all instructions listed below may result in electric shock, fire and/or serious injury.
- » **Save all warnings and instructions for future reference.**

The term "power tool" in the warnings refers to your mains-operated (corded) power tool or battery-operated (cordless) power tool.

2.3.1 WORK AREA SAFETY

- Keep work area clean and well lit.** Cluttered or dark areas invite accidents.
- Do not operate power tools in explosive atmospheres, such as in the presence of flammable liquids, gases or dust.** Power tools create sparks which may ignite the dust or fumes.
- Keep children and bystanders away while operating a power tool.** Distractions can cause you to lose control.

2.3.2 ELECTRICAL SAFETY

- Power tool plugs must match the outlet. Never modify the plug in any way. Do not use any adapter plugs with earthed (grounded) power tools.** Unmodified plugs and matching outlets will reduce risk of electric shock.
- Avoid body contact with earthed or grounded surfaces, such as pipes, radiators, ranges and refrigerators.** There is an increased risk of electric shock if your body is earthed or grounded.
- Do not expose power tools to rain or wet conditions.** Water entering a power tool will increase the risk of electric shock.
- Do not abuse the cord. Never use the cord for carrying, pulling or unplugging the power tool. Keep cord away from heat, oil, sharp edges or moving parts.** Damaged or entangled cords increase the risk of electric shock.



- e) **When operating a power tool outdoors, use an extension cord suitable for outdoor use.** Use of a cord suitable for outdoor use reduces the risk of electric shock.
- f) **If operating a power tool in a damp location is unavoidable, use a residual current device (RCD) protected supply.** Use of an RCD reduces the risk of electric shock.
- d) **Store idle power tools out of the reach of children and do not allow persons unfamiliar with the power tool or these instructions to operate the power tool.** Power tools are dangerous in the hands of untrained users.
- e) **Maintain power tools and accessories. Check for misalignment or binding of moving parts, breakage of parts and any other condition that may affect the power tool's operation. If damaged, have the power tool repaired before use.** Many accidents are caused by poorly maintained power tools.

2.3.3 PERSONAL SAFETY

- a) **Stay alert, watch what you are doing and use common sense when operating a power tool. Do not use a power tool while you are tired or under the influence of drugs, alcohol or medication.** A moment of inattention while operating power tools may result in serious personal injury.
- b) **Use personal protective equipment. Always wear eye protection.** Protective equipment such as a dust mask, non-skid safety shoes, hard hat or hearing protection used for appropriate conditions will reduce personal injuries.
- c) **Prevent unintentional starting. Ensure the switch is in the off-position before connecting to power source and/or battery pack, picking up or carrying the tool.** Carrying power tools with your finger on the switch or energising power tools that have the switch on invites accidents.
- d) **Remove any adjusting key or wrench before turning the power tool on.** A wrench or a key left attached to a rotating part of the power tool may result in personal injury.
- e) **Do not overreach. Keep proper footing and balance at all times.** This enables better control of the power tool in unexpected situations.
- f) **Dress properly. Do not wear loose clothing or jewellery. Keep your hair and clothing away from moving parts.** Loose clothes, jewellery or long hair can be caught in moving parts.
- g) **If devices are provided for the connection of dust extraction and collection facilities, ensure these are connected and properly used.** Use of dust collection can reduce dust-related hazards.
- h) **Do not let familiarity gained from frequent use of tools allow you to become complacent and ignore tool safety principles.** A careless action can cause severe injury within a fraction of a second.
- f) **Keep cutting tools sharp and clean.** Properly maintained cutting tools with sharp cutting edges are less likely to bind and are easier to control.
- g) **Use the power tool, accessories and tool bits etc. in accordance with these instructions, taking into account the working conditions and the work to be performed.** Use of the power tool for operations different from those intended could result in a hazardous situation.
- h) **Keep handles and grasping surfaces dry, clean and free from oil and grease.** Slippery handles and grasping surfaces do not allow for safe handling and control of the tool in unexpected situations.

2.3.5 BATTERY TOOL USE AND CARE

- a) **Recharge only with the charger specified by the manufacturer.** A charger that is suitable for one type of battery pack may create a risk of fire when used with another battery pack.
- b) **Use power tools only with specifically designated battery packs.** Use of any other battery packs may create a risk of injury and fire.
- c) **When battery pack is not in use, keep it away from other metal objects, like paper clips, coins, keys, nails, screws or other small metal objects, that can make a connection from one terminal to another.** Shorting the battery terminals together may cause burns or a fire.
- d) **Under abusive conditions, liquid may be ejected from the battery; avoid contact. If contact accidentally occurs, flush with water. If liquid contacts eyes, additionally seek medical help.** Liquid ejected from the battery may cause irritation or burns.
- e) **Do not use a battery pack or tool that is damaged or modified.** Damaged or modified batteries may exhibit unpredictable behaviour resulting in fire, explosion or risk of injury.
- f) **Do not expose a battery pack or tool to fire or excessive temperature.** Exposure to fire or temperature above 130 °C may cause explosion.
- g) **Follow all charging instructions and do not charge the battery pack or tool outside the temperature range specified in the instructions.** Charging improperly or at temperatures outside the specified range may damage the battery and increase the risk of fire.

2.3.4 POWER TOOL USE AND CARE

- a) **Do not force the power tool. Use the correct power tool for your application.** The correct power tool will do the job better and safer at the rate for which it was designed.
- b) **Do not use the power tool if the switch does not turn it on and off.** Any power tool that cannot be controlled with the switch is dangerous and must be repaired.
- c) **Disconnect the plug from the power source and/or remove the battery pack, if detachable, from the power tool before making any adjustments, changing accessories, or storing power tools.** Such preventive safety measures reduce the risk of starting the power tool accidentally.
- a) **Have your power tool serviced by a qualified repair person using only identical replacement parts.** This will ensure that the safety of the power tool is maintained.

2.3.6 SERVICE





- b) **Never service damaged battery packs.** Service of battery packs should only be performed by the manufacturer or authorized service providers.

2.4 SAFETY INSTRUCTIONS FOR ALL SAWS

2.4.1 CUTTING PROCEDURES

- a) **DANGER: Keep hands away from cutting area and the blade.** If both hands are holding the saw, they cannot be cut by the blade.
- b) **Do not reach underneath the workpiece.** The guard cannot protect you from the blade below the workpiece.
- c) **Adjust the cutting depth to the thickness of the workpiece.** Less than a full tooth of the blade teeth should be visible below the workpiece.
- d) **Never hold the workpiece in your hands or across your leg while cutting. Secure the workpiece to a stable platform.** It is important to support the work properly to minimise body exposure, blade binding, or loss of control.
- e) **Hold the power tool by insulated gripping surfaces, when performing an operation where the cutting tool may contact hidden wiring or its own cord.** Contact with a “live” wire will also make exposed metal parts of the power tool “live” and could give the operator an electric shock.
- f) **When ripping, always use a rip fence or straight edge guide.** This improves the accuracy of cut and reduces the chance of blade binding.
- g) **Always use blades with correct size and shape (diamond versus round) of arbour holes.** Blades that do not match the mounting hardware of the saw will run off-centre, causing loss of control.
- h) **Never use damaged or incorrect blade washers or bolt.** The blade washers and bolt were specially designed for your saw, for optimum performance and safety of operation.

2.5 FURTHER SAFETY INSTRUCTIONS FOR ALL SAWS

2.5.1 KICKBACK CAUSES AND RELATED WARNINGS

- kickback is a sudden reaction to a pinched, jammed or misaligned saw blade, causing an uncontrolled saw to lift up and out of the workpiece toward the operator;
- when the blade is pinched or jammed tightly by the kerf closing down, the blade stalls and the motor reaction drives the unit rapidly back toward the operator;
- if the blade becomes twisted or misaligned in the cut, the teeth at the back edge of the blade can dig into the top surface of the wood causing the blade to climb out of the kerf and jump back toward the operator.

Kickback is the result of saw misuse and/or incorrect operating procedures or conditions and can be avoided by taking proper precautions as given below.

- a) **Maintain a firm grip on the saw and position your arms to resist the blade.** Kickback could cause the saw to jump backwards, but kickback forces can be controlled by the operator, if proper precautions are taken.

- b) **When blade is binding, or when interrupting a cut for any reason, release the trigger and hold the saw motionless in the material until the blade comes to a complete stop.** Never attempt to remove the saw from the work or pull the saw backward while the blade is in motion or kickback may occur. Investigate and take corrective actions to eliminate the cause of blade binding.
- c) **When restarting a saw in the workpiece, centre the saw blade in the kerf so that the saw teeth are not engaged into the material.** If a saw blade binds, it may walk up or kickback from the workpiece as the saw is restarted.
- d) **Support large panels to minimise the risk of blade pinching and kickback.** Large panels tend to sag under their own weight. Supports must be placed under the panel on both sides, near the line of cut and near the edge of the panel.
- e) **Do not use dull or damaged blades.** Unsharpened or improperly set blades produce narrow kerf causing excessive friction, blade binding and kickback.
- f) **Blade depth and bevel adjusting locking levers must be tight and secure before making the cut.** If blade adjustment shifts while cutting, it may cause binding and kickback.
- g) **Use extra caution when sawing into existing walls or other blind areas.** The protruding blade may cut objects that can cause kickback.

2.5.2 LOWER GUARD FUNCTION

- a) **Check the lower guard for proper closing before each use. Do not operate the saw if the lower guard does not move freely and close instantly. Never clamp or tie the lower guard into the open position. If the saw is accidentally dropped, the lower guard may be bent.** Raise the lower guard with the retracting handle and make sure it moves freely and does not touch the blade or any other part, in all angles and depths of cut.
- b) **Check the operation of the lower guard spring. If the guard and the spring are not operating properly, they must be serviced before use.** Lower guard may operate sluggishly due to damaged parts, gummy deposits, or a build-up of debris.
- c) **The lower guard may be retracted manually only for special cuts such as “plunge cuts” and “compound cuts”. Raise the lower guard by the retracting handle and as soon as the blade enters the material, the lower guard must be released.** For all other sawing, the lower guard should operate automatically.
- d) **Always observe that the lower guard is covering the blade before placing the saw down on bench or floor.** An unprotected, coasting blade will cause the saw to walk backwards, cutting whatever is in its path. Be aware of the time it takes for the blade to stop after switch is released.

2.6 ADDITIONAL CIRCULAR SAW SAFETY

- a) Do not allow anyone under the age of 18 to use the saw.
- b) When using the saw, you should wear protective gear at all times. This includes safety goggles, ear protection, a dust mask, protective clothing, and gloves.





- c) Power tools can cause vibrations. Vibrations can cause illness. Gloves that keep the operator's hands warm can promote good blood circulation in the fingers. Do not use hand tools for long periods without a break.
- d) Where possible, use a dust collection system to collect sawdust/waste.
- e) Do not cut material thicker than described in the specifications in this manual.
- f) Adjust the cutting depth to the width of the workpiece. Less than a full tooth height should protrude below the workpiece.
- g) Ensure that the workpiece is securely mounted and does not protrude too far beyond the workbench to prevent bending of the saw blade and loss of control.
- h) Ensure that supports and power cords are removed from the cutting line.
- i) Secure the workpiece to a stable platform with minimal exposure to prevent blade deflection and loss of control.
- j) When sawing, stand to the side of the workpiece.
- k) The saw blade protrudes below the table.
- l) Do not reach under the workpiece where your hands are not protected from the saw blade.
- m) Pay attention to the direction of rotation of the motor and the saw blade.
- n) Inspect the workpiece and remove all objects near the saw before you start sawing.
- o) Do not apply lateral or twisting pressure to the saw blade while sawing.
- p) If the saw blade does not reach the full width of the workpiece, or if the saw blade jams in the workpiece, allow the saw to come to a complete stop before lifting the saw out of the workpiece.
- q) If the saw blade is jammed in the workpiece, you should turn off the machine before attempting to free the blade.
- r) Do not move the saw backward while cutting a workpiece.
- s) Watch out for flying sawing debris. It is the user's responsibility to protect bystanders from flying sawing debris.
- t) If you are interrupted while sawing, first finish the cut and switch off the machine before looking up.
- u) Before each use, check that the lower guard is functioning properly. Do not use the machine if the guard moves freely and closes completely. Never lock the guard in the open position. If the saw is accidentally dropped, the guard may be damaged. Ensure that the guard moves freely at every angle and cutting depth and does not touch the saw blade or any other part of the machine.
- v) Check that the saw blade is completely covered by the protective cover before putting the machine down. An unprotected saw blade will move the machine backwards and cut anything in its path. The saw blade does not stop immediately when you release the on/off switch.
- w) Regularly check that all bolts, nuts, and other fasteners are tightened securely.
- x) Only use saw blades recommended by the manufacturer and that comply with EN 847-1 if they are intended for wood and similar materials.

The sawing machine may only be used for its intended purpose.

Any use other than that specified in this manual is considered misuse. The user, and not the manufacturer, is then liable for any damage or injury resulting from such misuse.

The manufacturer is not responsible for any modifications made to the tool, nor for any damage resulting from such modifications. Even when the machine is used as intended, all risk factors can never be completely ruled out.

2.7 BEFORE USE

- Prevent damage that may be caused by screws, nails, and other objects in your workpiece; remove these before starting a job.
- Use a suitable detection device to locate hidden power, gas, or water lines, or consult the local power or water company (contact with electrical lines can cause fire or electric shock; damage to a gas line can cause an explosion; breaking a water line causes property damage and can cause electric shock).
- Secure the workpiece (a workpiece secured with clamps or in a vise is more secure than one held by hand).

NOTE

» Only use the machine for its intended purpose. Any other use is considered misuse. The user, not the manufacturer, is liable for damage and/or injury resulting from misuse. The manufacturer is not liable for modifications to the machine and any resulting damage/injury.

2.8 ADDITIONAL SAFETY INSTRUCTIONS FOR BATTERIES AND CHARGERS

When using power tools, the following safety precautions must always be observed to prevent electric shock, injury, and/or fire. Read and pay close attention to these recommendations before using a machine.

2.8.1 BATTERIES

WARNING!

- » Improper use of the battery can lead to fire, explosion, or other hazards.
- » Battery fluid can cause serious injury or damage to property. If battery fluid comes into contact with the skin, rinse the skin immediately with water. If a red rash, pain, or irritation occurs, consult a doctor immediately. If battery fluid comes into contact with the eyes, rinse the eyes immediately with water.
- Never attempt to open a battery.
- Do not expose the battery to water.
- Do not expose the battery to heat sources.
- Do not store batteries in places where the temperature may exceed 40 °C.
- Keep batteries out of the reach of children.
- Only charge batteries at an ambient temperature between 10 °C and 40 °C.



- Only charge batteries using the supplied charger/USB-C charging cable.
- Only use the batteries intended for use in the power tools. Using other batteries may result in injury and fire hazard.
- When disposing of batteries, follow the instructions in the section "**WASTE DISPOSAL AND RECYCLING.**".
- Do not damage or deform the battery by puncturing it or subjecting it to impact, as this may result in injury and fire hazard.
- Do not charge damaged batteries.
- Be extra careful with the battery. Do not drop it on a hard surface and do not subject it to pressure or any other form of mechanical stress. Keep the battery away from extreme heat and cold.
- Important! Danger! Never short-circuit the battery or expose it to moisture. Do not store the battery together with metal parts that could cause the contacts to short-circuit. The battery may overheat, catch fire, or explode.
- The battery cells in the battery pack are not replaceable.

Under extreme conditions of use, liquid may leak from the battery. If you notice liquid on the batteries, carefully remove the liquid from the battery using a cloth. Avoid skin contact. If the liquid does come into contact with the skin or eyes, follow the instructions below.

2.8.2 CHARGERS

NOTE

- » Important! USB charger or fast charger are not included.
- » Recommended charging values: 5.0V d.c. / 1.8 A (type C).

The charger is designed for a specific voltage. Always check that the mains voltage corresponds to the voltage on the type plate.

WARNING!

- » Unplug the charger from the wall outlet when not in use and before cleaning and maintenance.

- Never replace the charger with a mains plug.
- Only use the charger to charge the included battery or batteries purchased specifically for the machine. Other batteries may rupture, causing injury and property damage.
- Never attempt to charge non-rechargeable batteries.
- Have a damaged power cord replaced by the manufacturer or an authorized service center to prevent hazards.
- Do not expose the charger to water.
- Do not open the charger.
- Do not puncture the charger.
- The machine/battery must be placed in a well-ventilated area during charging.
- The charger is intended for indoor use only.

2.9 INTENDED USE

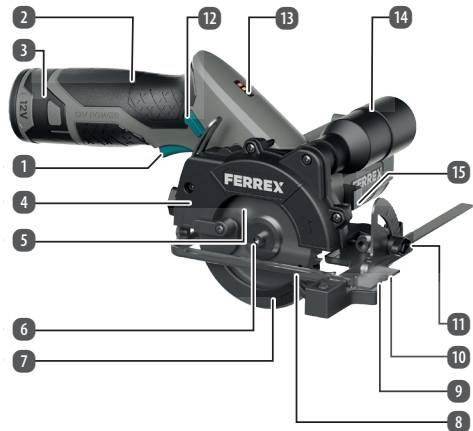
Battery circular saw, for making crosscuts, bevel cuts, and miter cuts in hard and soft woods and sheet metal.

- Only use the product as described in these instructions. Any other use is considered improper and may result in material damage or even personal injury.
- Possible injury if used incorrectly.
- The manufacturer or dealer accepts no liability for damage caused by improper or incorrect use.

3 SCOPE OF DELIVERY

- 1× Cordless circular saw
- 1× Battery
- 1× USB-C charging cable
- 1× Dust extraction adapter set
- 1× Saw blade
- 1× Allen key
- 1× Parallel stop
- 1× User manual

4 PRODUCT COMPONENTS



- | | |
|----------------------------|------------------------------|
| 1. On/Off switch | 11. Mitre angle lock button |
| 2. Insulated grip surfaces | 12. Unlock button |
| 3. Battery | 13. Battery charge indicator |
| 4. Fixed protective cover | 14. Dust extraction adapter |
| 5. Saw blade | 15. Spindle lock |
| 6. Blade locking bolt | |
| 7. Lower protective cover | |
| 8. Base plate | |
| 9. 0° line | |
| 10. 45° line | |

5 BEFORE FIRST USE

5.1 CHECK PRODUCT AND SCOPE OF DELIVERY

⚠ WARNING! SUFFOCATION HAZARD!

- » Keep all packaging materials away from children and pets; these materials are a potential source of danger, as you could suffocate on them or swallow small parts.

CAUTION! RISK OF INJURY!

- » Be careful when opening the packaging to avoid damaging the product. Avoid using sharp objects.

1. Remove the product from the packaging.
2. Remove the packaging material and all plastic/protective films.
3. Check that the delivery is complete (see **PRODUCT OVERVIEW** section).
4. Check the product or individual parts for damage. If this is the case, do not use the product. Contact the service center using the contact details provided on the front page of this manual.

5.2 BASIC CLEANING

Before first use, clean all parts of the product as described in the **CLEANING AND MAINTENANCE** section.

5.3 ASSEMBLY/DISASSEMBLY OF THE SAW BLADES

⚠ WARNING!

- » Disconnect the battery.
- » When handling sharp saw blades, it is recommended that you wear protective gloves.

- Check that the saw blade is suitable for the material to be cut.
- Only attach saw blades that are in perfect condition. Blunt, bent, and/or damaged saw blades must be discarded.
- Press the shaft lock button inwards and turn the saw blade by hand until the lock engages. Loosen the locking bolt with the Allen key.
- Remove the locking bolt and blade flange.
- Use the guard lever to retract the guard and remove the saw blade.
- When installing the saw blade, make sure that the direction of rotation indicated on the saw blade is the same as the direction indicated by the saw blade direction indicator.
- Reattach the blade flange and locking bolt to the machine. Press the shaft lock button and tighten with the spanner.
- Release the shaft lock button and check that the saw blade is securely fastened.

i NOTE

- » It is recommended to practice on a piece of scrap material before cutting into the workpiece. Correct machine settings are crucial for obtaining accurate sawing results. Incorrect settings may damage workpieces.

5.4 INSTRUCTIONS FOR CORRECT USE OF THE DUST EXTRACTION SYSTEM

This circular saw produces sawdust and dust particles. To reduce exposure to dust, the saw must be used with a compatible dust extraction system. Failure to use dust extraction may reduce cutting performance and pose health risks.

This circular saw comes with a dust extraction adapter **14** for connection to a vacuum cleaner.

i NOTE

- » Even with the vacuum cleaner connected, fine dust may escape during use; always wear a suitable dust mask.

⚠ WARNING!

- » Do not use with a blocked or clogged system.

5.4.1 CONNECTING THE DUST EXTRACTION SYSTEM

- Only use the dust extraction adapter **14** supplied.
- Connect a vacuum cleaner hose of the correct diameter (Ø 35 mm) in a safe and airtight manner.
- Ensure that the connection is secure, without any openings, cracks, or leaks, so that all dust is extracted into the extraction system.
- Avoid sharp bends, kinks, or abrupt angles in the connection, as this can reduce the airflow.
- The hose must be of a suitable length and stiffness so that it does not interfere with the operation of the saw or pose a tripping hazard.
- Always switch on the dust extraction system before starting the saw and ensure constant extraction during sawing.

5.4.2 USE OF THE DUST EXTRACTION SYSTEM

- Always ensure that extraction remains effective during sawing; do not use the saw if the dust collection system is disconnected, blocked, or has significantly reduced suction power.
- If the suction power decreases or if vibrations/noises indicate a blockage, stop the saw, remove the battery, and check/clean the hose or adapter.
- Direct the exhaust of the extraction system away from the user and the cutting area so that dust or debris is not blown back onto the workpiece or towards the user.

⚠ WARNING!

- » Do not allow sparks or hot chips to enter the extraction hose.

6 USE

6.1 HANDLING THE CIRCULAR SAW

- Hold the machine firmly by the handles **2**.
- Ensure that the saw blade has come to a complete standstill before setting the machine down.
- Ensure that the workpiece is securely fastened so that it does not move during sawing. Clamp the workpiece in place whenever possible.

6.2 MAKING A CUT

- Hold the machine firmly and place the front edge of the base plate **8** on the edge of the workpiece.
- Ensure that the saw blade is not in contact with the workpiece and/or other objects.
- Press the lock button and press the on/off switch **1** to turn on the machine.

i NOTE

» The machine is equipped with two lock buttons – one on each side of the machine for both left- and right-handed use.

- Allow the motor to reach full speed and guide the machine smoothly through the workpiece.
- Maintain a constant speed and ensure that the base plate rests on the workpiece at all times.

i NOTE

» The front edge of the base plate has a notch. For normal 0° cuts, align the 0° line with the cutting line. For 45° miter cuts, align the 45° line with the cutting line.

- Ensure that the saw blade has completely passed through the workpiece before releasing the on/off switch. When the cut ends at the edge of the workpiece, release the on/off switch and allow the blade to come to a complete stop before lifting the machine off the workpiece.
- Do not put the machine down before the saw blade has stopped.

6.3 SETTING THE MITER ANGLE

- The machine is equipped with a tilting base plate for making bevel cuts.
- Loosen the miter angle lock knob to tilt the base plate.
- Set the machine to the desired angle (0–45°) using the miter angle scale and tighten the lock knob.
- Check the accuracy by checking the angle between the blade and the base plate using a protractor.

6.4 ADJUSTING THE CUTTING DEPTH

- The machine is equipped with a cutting depth adjustment mechanism.
- Loosen the depth lock knob for free adjustment of the base plate.
- Set the machine to the correct cutting depth using the depth scale or a ruler and tighten the locking knob.
- When correctly adjusted, the teeth protrude approximately 3 mm below the bottom of the workpiece to be cut.

6.5 LED LIGHT

The LED light turns on automatically when you press the On/Off switch

1.

7 ACCESSORIES

Only use accessories with a permitted speed that is at least as high as the highest no-load speed of the machine.

8 CLEANING AND MAINTENANCE

8.1 CLEANING

⚠ CAUTION! RISK OF SHORT CIRCUIT!

- » Remove the battery from the product before cleaning.

⚠ WARNING! RISK OF ELECTRIC SHOCK OR SHORT CIRCUIT

- » Never immerse the product in water or other liquids. Ensure that no water or other liquids enter the housing.

CAUTION! RISK OF DAMAGE!

- » Do not use aggressive cleaning agents, brushes with metal or nylon bristles, or sharp or metal cleaning objects such as knives, hard spatulas, and the like. These can damage the surfaces of the product.

8.2 MAINTENANCE

⚠ WARNING! RISK OF ELECTRIC SHOCK!

- » Remove the battery from the product before maintenance.
- » Any maintenance other than that specified in this manual must be carried out by a professional repair center. Contact customer service for maintenance.

8.3 STORAGE

CAUTION! RISK OF DAMAGE!

- » Avoid and protect the product from dust, water, moisture, frost, extreme temperatures, high humidity, and direct sunlight.
- Before storage, clean all parts as described in the **CLEANING AND MAINTENANCE** section.
- Dry the product completely before storing it.
- Always store the product in a cool and dry place, with an ambient temperature between 5°C and 20°C.
- Keep the product out of the reach of children and pets.

8.4 TRANSPORT

- Protect the product from vibrations or shocks, e.g. when transporting it in vehicles.
- Secure the product against slipping. Use bungee cords, ratchet straps, or similar means.

9 TECHNICAL DATA

No-load speed:	1450 min ⁻¹
Saw blade diameter:	Ø 85 mm
Saw blade bore:	Ø 15 mm
Maximum cutting depth 90°:	26 mm
Maximum cutting depth 45°:	17 mm
Weight (without battery):	1.12 kg
Sound pressure level L _{PA} :	98.32 dB(A)
Uncertainty K _{PA} :	3 dB
Sound power level L _{WA} :	106.32 dB(A)
Uncertainty K _{WA} :	3 dB
Hand Arm Vibration a _{h,W} :	4.196 m/s ²
Uncertainty K:	1.5 m/s ²
BATTERY FBT-CLB014	
Voltage:	12V d.c.
Capacity:	2 Ah, 24 Wh
CHARGER FBT-CLC011 (not included)	
Input:	220 – 240 V ~ 50–60 Hz, 50 W
Output:	12V d.c.
Charging current:	2400 mA

9.1 TOTAL VIBRATION AND NOISE EMISSION VALUES

The specified total vibration and noise emission values have been measured according to a standardized test procedure (EN 62841-1 & EN 62841-2-5) and can be used to compare power tools with each other. They can also be used for a preliminary assessment of exposure.

WARNING!

- » Vibration and noise emissions may differ from the specified values during actual use of the power tool, depending on how the power tool is used, in particular the type of workpiece being processed.
- » It is necessary to take safety measures to protect the user based on an assessment of vibration exposure during actual operating conditions (taking into account all parts of the operating cycle, e.g., periods when the power tool is switched off and periods when it is switched on but running without load).
- » Aim to keep exposure to vibration and noise as low as possible. Examples of measures to reduce vibration exposure include wearing gloves when using the tool, limiting working time, and using accessories in good condition.

9.2 CHARGING VIA USB

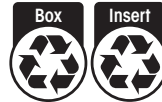
The battery can be charged via a USB-C charger (input 5.0V d.c. 1.8 A) and/or a USB port.

NOTE

- » Only the USB cable is included.

10 WASTE DISPOSAL AND RECYCLING

10.1 DISPOSING OF THE PACKAGING



The product has been packaged to protect it from damage in transit. Packaging materials are raw materials and can therefore be reused or recycled. Please dispose in your recycling bin. This is recyclable.

10.2 DISPOSING OF THE PRODUCT



Dispose of the product in accordance with the applicable laws and regulations for your country.

10.3 BATTERY DISPOSAL



Batteries may not be disposed of with household waste!

As the end user you are required by law to bring all batteries and rechargeable batteries, regardless whether they contain harmful substances* or not, to a collection point run by the city or county, or to a retailer, so that they can be disposed of in an environmentally friendly manner.

*labeled with: Cd = cadmium, Hg = mercury, Pb = lead

The product and user manual are subject to change. Specifications are subject to change without notice.

11 WARRANTY

11.1 WARRANTY CERTIFICATE

REGISTER YOUR PURCHASE AT [www.aldi.com.au/en/about-aldi/product-registration/](http://www.aldi.com.au/en/about-aldi/product-registration/TO KEEP UP-TO-DATE WITH IMPORTANT PRODUCT INFORMATION) TO KEEP UP-TO-DATE WITH IMPORTANT PRODUCT INFORMATION

Congratulations! You have made an excellent choice of this quality product. Our commitment to quality also includes our service. Should you, contrary to expectations, experience defects due to manufacturing faults, ALDI will provide you with a warranty against defects as follows:

The product is guaranteed to be free from defects in workmanship and parts for a period of 3 years (dependant on product) from the date of purchase. Defects that occur within this warranty period, under normal use and care, will be repaired, replaced or refunded at our discretion.

The benefits conferred by this warranty are in addition to all rights and remedies in respect of the product that the consumer has under the Competition and Consumer Act 2010 and similar state and territory laws. Our goods come with guarantees that cannot be excluded under the Australian Consumer Law. You are entitled to a replacement or refund for a major failure and for compensation for any other reasonably foreseeable loss or damage. You are also entitled to have the goods repaired or replaced if the goods fail to be of acceptable quality and the failure does not amount to a major failure.

11.2 PROOF OF PURCHASE

This warranty is valid for the original purchase and is not transferable. Please keep your purchase docket, tax invoice or receipt as the best proof of purchase, and as proof of date on which the purchase was made.

11.3 EXTENT OF WARRANTY

This warranty is limited to defects in workmanship or parts. All defective products or parts will be repaired or replaced. This warranty does not cover batteries or any other consumable items.

11.4 NORMAL WEAR AND TEAR

This warranty does not cover normal wear and tear to the products or parts.

11.5 EXCLUSIONS

This warranty does not cover:

- Any defects caused by an accident, misuse, abuse, improper installation or operation, lack of reasonable care, unauthorised modification, loss of parts, tampering or attempted repair by a person not authorised by the distributor.
- Any product that has not been installed, operated or maintained in accordance with the manufacturer's operating instructions provided with the product.
- Any product that has been used for purposes other than domestic use.
- Any damage caused by improper power input or improper cable connection.

11.6 TO MAKE A CLAIM

This warranty against defects is provided by:

ALDI Stores, Locked Bag 56, St Marys Delivery Centre, NSW 2760, Phone (02) 9675 9000.

If a defect in the goods appears within 3 years (the identified period on the packaging), you are entitled to claim a warranty, please contact or send all warranty claims to:

ACR Supply Partners Pty Ltd. 50 Old Wallgrove Road, Eastern Creek, NSW 2766, AUSTRALIA

Tel: 1 800 130 489 (Mon-Fri 8 am - 8 pm AEST)

Aldi-AU@protel-service.com

When making a return, please ensure the product is properly packaged so as to ensure that no damage occurs to the product during transit. Please provide the original or a copy of the proof of purchase. Also please make sure you have included an explanation of the problem. Please note that the costs of making a warranty claim, including any return postage, will be covered by the supplier identified above. Please note upon receiving your warranty claim, the supplier will send, via the post or email, a repair and refurbished goods or parts notice. Please provide your email address and advise the supplier, if you wish to obtain a repair and refurbished goods or parts notice via email.

11.7 WARRANTY DETAILS

The product is guaranteed to be free from defects in workmanship and parts for a period of 3 years from the date of purchase. Defects that occur within this warranty period, under normal use and care, will be repaired, replaced or refunded at our discretion. The benefits conferred by this warranty are in addition to all rights and remedies in respect of the product that the consumer has under the Competition and Consumer Act 2010 and similar state and territory laws.

Our goods come with guarantees that cannot be excluded under the Australian Consumer Law. You are entitled to a replacement or refund for a major failure and for compensation for any other reasonably foreseeable loss or damage. You are also entitled to have the goods repaired or replaced if the goods fail to be of acceptable quality and the failure does not amount to a major failure.

11.8 REPAIR AND REFURBISHED GOODS OR PARTS NOTICE

Unfortunately, from time to time, faulty products are manufactured which need to be returned to the Supplier for repair.

Please be aware that if your product is capable of retaining user-generated data (such as files stored on a computer hard drive, telephone numbers stored on a mobile telephone, songs stored on a portable media player, games saved on a games console or files stored on a USB memory stick) during the process of repair, some or all of your stored data may be lost.

We recommend you save this data elsewhere prior to sending the product for repair.

You should also be aware that rather than repairing goods, we may replace them with refurbished goods of the same type or use refurbished parts in the repair process.

Please be assured though, refurbished parts or replacements are only used where they meet ALDI's stringent quality specifications.

If at any time you feel your repair is being handled unsatisfactorily, you may escalate your complaint. Please telephone us on 1 800 130 489 or write to us at:

ACR Supply Partners Pty Ltd. 50 Old Wallgrove Road, Eastern Creek, NSW 2766 AUSTRALIA

Tel: 1 800 130 489 (Mon-Fri, 8 am - 8 pm AEST)

Aldi-AU@protel-service.com



DISTRIBUTED BY **ALDI STORES**
1 SARGENTS ROAD,
MINCHINBURY NSW 2770
WWW.ALDI.COM.AU

MADE IN CHINA

V01/0226