



# USER MANUAL

## CORDLESS CIRCULAR SAW 12V



**FERREX®**

AFTER SALES SUPPORT

859070

GB

☎ 0 1827 438 013

✉ SERVICE-UK@PROTEL-SERVICE.COM

IE

☎ 0 124 695 20

✉ SERVICE-UK@PROTEL-SERVICE.COM

MODEL: FBT-CCS008

05/2026

**3**  
YEAR WARRANTY

ORIGINAL INSTRUCTION MANUAL



## CONTENT

|  |           |
|--|-----------|
| <b>1 General</b>   | <b>3</b>  |
| <b>2 Safety</b>  | <b>3</b>  |
| 2.1 Explanation of signal words                                | 3         |
| 2.2 Explanation of symbols                                     | 3         |
| 2.3 General safety instructions for power tools                | 3         |
| 2.4 Safety instructions for circular saws                      | 5         |
| 2.5 Additional safety for all sawing machines                  | 5         |
| 2.6 Additional circular saw safety                             | 6         |
| 2.7 Before use   | 6         |
| 2.8 Additional safety instructions for batteries and chargers  | 6         |
| 2.9 Intended use   | 7         |
| <b>3 Scope of delivery</b>                                     | <b>7</b>  |
| <b>4 Product components</b>                                    | <b>8</b>  |
| <b>5 Before first use</b>                                      | <b>8</b>  |
| 5.1 Check product and scope of delivery                        | 8         |
| 5.2 Basic cleaning   | 8         |
| 5.3 Assembly/disassembly of the saw blades                     | 8         |
| 5.4 Instructions for correct use of the dust extraction system | 8         |
| <b>6 Use</b>   | <b>9</b>  |
| 6.1 Handling the circular saw                                  | 9         |
| 6.2 Making a cut   | 9         |
| 6.3 Setting the miter angle                                    | 9         |
| 6.4 Adjusting the cutting depth                                | 9         |
| 6.5 LED light  | 9         |
| <b>7 Accessories</b>   | <b>9</b>  |
| <b>8 Cleaning and maintenance</b>                              | <b>9</b>  |
| 8.1 Cleaning   | 9         |
| 8.2 Maintenance  | 10        |
| 8.3 Storage  | 10        |
| 8.4 Transport  | 10        |
| <b>9 Technical data</b>  | <b>10</b> |
| 9.1 Total vibration and noise emission values                  | 10        |
| 9.2 Charging via USB   | 10        |
| <b>10 Waste disposal and recycling</b>                         | <b>10</b> |
| 10.1 Disposing of the packaging                                | 10        |
| 10.2 Disposing of the Product                                  | 10        |
| 10.3 Battery disposal  | 11        |
| <b>11 EC Declaration of Conformity</b>                         | <b>11</b> |
| <b>12 UK Declaration of Conformity</b>                         | <b>11</b> |
| <b>13 Warranty</b>   | <b>11</b> |



## 1 GENERAL



User manuals provide useful tips on how to use your new device. They help you to use all the functions, prevent misunderstandings, and avoid damage. Please take the time to read this manual carefully and keep it as a

reference.

Please read all safety instructions!

This manual contains important information about operating and handling the device. Keep this user manual for future reference. Please pass it on together with the device if it is handed over to third parties. This manual is available in PDF format at [www.ferrex12vpower.com](http://www.ferrex12vpower.com).

## 2 SAFETY

### 2.1 EXPLANATION OF SIGNAL WORDS

The following signal words are used in this manual, on the product, and/or on the packaging.

#### DANGER!

- » This signal word indicates a hazardous situation which, if not avoided, will result in death or serious injury.

#### WARNING!

- » This signal word indicates a hazardous situation which, if not avoided, could result in death or serious injury.

#### CAUTION!

- » This signal word indicates a hazardous situation which, if not avoided, could result in minor or moderate injury.

#### CAUTION!

- » This signal word indicates a hazardous situation which, if not avoided, could result in property damage.

#### NOTE

- » This signal word is a preferred signal word for tips and practices that are not related to personal injury.

### 2.2 EXPLANATION OF SYMBOLS

The following symbols are used in the user manual or on the product:



WARNING – Read the instructions to reduce the risk of injury.



Always wear hearing protection. Exposure to noise may cause hearing damage.



Wear safety glasses. Sparks generated during operation, or splinters, chips, and dust from the machine can cause eye damage.



Wear a dust mask. Harmful substances may be released when working with wood and other materials. Do not process materials containing asbestos!



Do not expose the battery to temperatures above 40 °C.



Do not expose the battery to fire. Explosion hazard!



Prevent the battery from coming into contact with water. Do not immerse the battery in water. Explosion hazard!



The "Tested Safety" seal (GS mark) confirms that the product complies with the Product Safety Act (ProdSG) and is safe when used in a foreseeable and intended manner.



CE stands for: "Conformité Européenne". This means: "Complies with EU directives". With the CE mark, the manufacturer confirms that this machine complies with the applicable European directives.



UKCA stands for: "UK Conformity Assessment". This means "Compliant with UK regulations". With the UKCA mark manufacturer confirms that this unit complies with the applicable UK regulations.



The machine must not be disposed of with household waste.

### 2.3 GENERAL SAFETY INSTRUCTIONS FOR POWER TOOLS

#### WARNING!

- » Incorrect handling of the product can lead to injuries.

#### WARNING!

- » **Warning! Read all instructions carefully.** Failure to follow the instructions below may result in electric shock, fire, and/or serious personal injury.
- » **Keep these instructions!**

The term "power tool" in the warnings below refers to both corded and cordless (battery-operated) equipment.

#### 2.3.1 WORK AREA

- Ensure a tidy and well-lit working environment.** Cluttered and dark work areas lead to accidents.
- Never use power tools in an environment where there is a risk of explosion, such as in the vicinity of flammable liquids, gases, vapors, or other substances.** Power tools can cause sparks, which can ignite these substances.
- When using power tools, keep children and bystanders away.** Distractions can cause you to lose control of the tool.



### 2.3.2 ELECTRICAL SAFETY

- a) **Power tool plugs should fit securely into the outlet. Never modify the plug or the outlet. Do not use adapters for grounded power tools.** Standard plugs and matching sockets reduce the risk of electric shock.
- b) **Avoid physical contact with grounded surfaces such as pipes, conduits, radiators, stoves, and refrigerators.** When your body is grounded, the risk of electric shock increases.
- c) **Never expose power tools to rain or moisture.** If water gets into an electric tool, the risk of electric shock increases.
- d) **Do not use the cord to carry, move, or unplug the power tool. Protect the cord from oil, heat, sharp edges, and moving parts.** Damaged or snagged cords increase the risk of electric shock.
- e) **When using power tools outdoors, use an extension cord that is suitable for outdoor use.** Using a cord suitable for outdoor use reduces the risk of electric shock.
- f) **Always use electrical equipment in combination with a ground fault circuit interrupter.** Using a ground fault circuit interrupter reduces the risk of electric shock.

### 2.3.3 PERSONAL SAFETY

- a) **Always stay alert, watch what you are doing, and use common sense when using power tools. Do not use power tools when you are tired or have used drugs, alcohol, or medication.** A moment of inattention when using power tools can result in serious injury.
- b) **Use safety devices. Always wear safety glasses.** Proper use of safety equipment, such as a dust mask, special work shoes with non-slip soles, a safety helmet, and hearing protection, reduces the risk of personal injury.
- c) **Prevent the tool from being started accidentally. Ensure the switch is in the OFF position before connecting the device to the power source and/or battery, and before picking up or carrying the device.** Never carry power tools with your finger on the switch, and never plug in power tools that are switched on: this leads to accidents.
- d) **Remove all adjustment and other keys from the power tool before switching it on.** Adjusting and other keys on a rotating part of the power tool can cause injuries.
- e) **Make sure you never lose your balance; always keep both feet firmly on the floor.** This will help you control the power tool in unexpected situations.
- f) **Wear suitable clothing. Do not wear loose clothing or jewelry. Keep your hair, clothing, and gloves away from moving parts.** Loose clothing, jewelry, and long hair can get caught in moving parts.
- g) **When provisions are made for the connection of dust extraction systems, ensure that they are connected and used correctly.** Using these provisions reduces the hazards caused by dust.
- h) **Do not give yourself a false sense of security and do not ignore the safety rules for power tools, even if you are familiar with the power tool after repeated use.** Careless operation can cause serious injury in a fraction of a second.

### 2.3.4 USE AND MAINTENANCE OF POWER TOOLS

- a) **Do not force power tools. Use the right tool for your specific application.** The right power tool will do the job better and safer at the speed for which it was designed.
- b) **Never use power tools with a faulty ON/OFF switch.** Any power tool that cannot be turned on and off with the switch is dangerous and must be repaired.
- c) **Unplug the power cord and/or remove the battery, if it can be removed, from the power tool before making adjustments, changing accessories, or storing the power tool.** Following these preventive safety measures will reduce the risk of the tool starting accidentally.
- d) **Store power tools that are not in use out of the reach of children and do not allow persons unfamiliar with the tool or these instructions to use the device.** Power tools are dangerous in the hands of untrained users.
- e) **Maintain power tools properly. Check that moving parts are properly secured. Also check that there are no defective parts or other conditions that could affect the operation of the tool. If the tool is damaged, have it repaired before use.** Many accidents are caused by poor tool maintenance.
- f) **Ensure that cutting and sawing tools remain sharp and clean.** Well-maintained cutting and sawing tools with sharp edges are less likely to jam and are easier to control.
- g) **Use all power tools, accessories, bits, etc., as specified in these instructions and in the manner for which the tool is designed. Take into account the working conditions and the task to be performed.** Using power tools for tasks other than those for which they are designed can lead to dangerous situations.
- h) **Keep handles and grips dry, clean, and free of oil and grease.** Slippery handles and grips make it impossible to handle and control the tool safely in unexpected situations.

### 2.3.5 USE AND MAINTENANCE OF BATTERY-POWERED TOOLS

- a) **Only recharge with the battery charger specified by the manufacturer.** A battery charger that is suitable for one type of battery pack may pose a fire hazard when used with another battery pack.
- b) **Only use electric machines with battery packs specifically designed for them.** The use of other battery packs may pose a risk of injury and fire.
- c) **When not in use, keep the battery pack away from other metal objects, such as paper clips, coins, keys, nails, screws, or other small metal objects that could create a connection between the two battery terminals.** Short circuits between the battery terminals can cause burn marks or fire.
- d) **If used incorrectly, liquid may leak from the battery; avoid contact with it. If you accidentally come into contact with it, rinse the area with water. Also seek medical attention if the fluid comes into contact with your eyes.** Fluid from the battery can cause irritation or burns.
- e) **Do not use a battery or tool that is damaged or modified.** Damaged or modified batteries may exhibit unpredictable behavior that could result in fire, explosion, or injury.





- f) **Do not expose a battery or tool to fire or excessive temperatures.** Exposure to fire or temperatures above 130°C may cause an explosion.
- g) **Follow all charging instructions and do not charge the battery or tool outside the temperature range specified in the instructions.** Incorrect charging or charging at a temperature outside the specified range may damage the battery and increase the risk of fire.

### 2.3.6 SERVICE

- a) **Contact a qualified specialist who uses original parts when repairing your power tool.** This ensures proper operation of the device.
- b) **Never perform maintenance on damaged batteries yourself.** Battery maintenance should only be performed by the manufacturer or authorized service providers.

## 2.4 SAFETY INSTRUCTIONS FOR CIRCULAR SAWS

### 2.4.1 SAWING PROCEDURES

#### DANGER!

» **Keep your hands away from the saw blade. Keep one hand on the auxiliary handle and the other hand on the motor housing.** When both hands are placed on the tool, they cannot be injured by the saw blade.

- a) **Do not reach under the workpiece.** The guard cannot protect you from the saw blade under the workpiece.
- b) **Adjust the cutting depth to the thickness of the workpiece.** Less than a full tooth height should protrude below the workpiece.
- c) **Never hold the workpiece by hand or support it on your legs while sawing. Secure the workpiece to a workbench.** Support the workpiece correctly to minimize the risk of personal injury, blade deflection, and loss of control.
- d) **Machines must be held by the insulated handles during use. This protects you if the blade comes into contact with the saw cord or other wiring.** If the blade comes into contact with live wire, metal parts of the saw will become live, which may give the user of the saw an electric shock if the handles are not used.
- e) **Always use a parallel guide when cutting.** This maximizes the accuracy of the cut and minimizes the risk of blade bending.
- f) **Always use recommended saw blades of the correct size and shape.** Blades that do not fit the mounting hardware of the saw run eccentrically, leading to loss of control.
- h) **The blade bolt is specially designed for your saw.** For optimal performance and safety, do not use a damaged or incorrect bolt.

## 2.5 ADDITIONAL SAFETY FOR ALL SAWING MACHINES

### 2.5.1 KICKBACK

- Kickback is a sudden reaction to a jammed, forced, or misaligned saw blade, causing the saw to shoot up out of the material toward the user.
- When the saw blade suddenly becomes jammed in the workpiece, the machine shoots towards the user due to the force of the motor.

- When the saw blade is twisted or misaligned in the workpiece, the teeth at the rear of the blade dig into the workpiece surface, which may cause the saw blade to be pushed out of the workpiece.

**Kickback is the result of misuse and/or improper operating procedures or conditions, and can be prevented by following these precautions:**

- a) **Hold the saw firmly with both hands and position your arms so that kickback can be counteracted.** Position your body to the left side of the saw and not in line with the saw blade. By taking the appropriate precautions, kickback forces can be controlled by the user.
- b) **If the blade becomes stuck in the material or if you are interrupted while sawing, release the on/off switch and hold the saw still in the material until the blade has come to a complete stop.** Never try to pull the saw out of the material or pull it backwards when the saw blade is rotating.
- c) **When restarting the saw in an unfinished cut, make sure that the saw is straight in the cut and that the teeth are not catching in the material** (a stuck blade can be thrown up when the machine restarts).
- d) **A large workpiece should be supported close to the cut and close to the edge** to prevent sagging and minimize the risk of kickback.
- e) **Do not use damaged or blunt blades.** These blades produce a narrow grain, resulting in excessive friction, bending of saw blades, and kickback.
- f) **Before making cuts, all adjustment locking levers **11** must be securely fastened.** Moving blade adjustments can cause blades to bend and result in kickback.
- g) **Be extremely careful when cutting into walls and other hidden areas.** The saw blade may hit hidden objects, which can cause kickback.

### 2.5.2 LOWER GUARD FUNCTION

- a) **Before each use, check that the lower guard **7** is functioning properly. Do not use the machine if the guard is not functioning properly. Do not lock the guard in the open or closed position.** If you drop the saw, the guard may bend. Check the free movement of the guard using the lever.
- b) **Check the operation of the guard spring. If the spring is not functioning properly, it must be repaired together with the protective cover before using the machine.** The protective cover may close and open slowly due to damaged parts or dust accumulation.
- c) **The protective cover may only be closed by hand when performing special cuts such as a free plunge cut.** Raise the guard with the lever and release the guard lever as soon as the saw blade cuts into the workpiece.
- d) **Check that the saw blade is completely covered by the protective cover before putting the machine down.** If the saw blade is rotating and not completely covered, the machine may be fired in the direction of the user or bystanders, which could result in serious accidents.





## 2.6 ADDITIONAL CIRCULAR SAW SAFETY

- a) Do not allow anyone under the age of 18 to use the saw.
- b) When using the saw, you should wear protective gear at all times. This includes safety goggles, ear protection, a dust mask, protective clothing, and gloves.
- c) Power tools can cause vibrations. Vibrations can cause illness. Gloves that keep the operator's hands warm can promote good blood circulation in the fingers. Do not use hand tools for long periods without a break.
- d) Where possible, use a dust collection system to collect sawdust/waste.
- e) Do not cut material thicker than described in the specifications in this manual.
- f) Adjust the cutting depth to the width of the workpiece. Less than a full tooth height should protrude below the workpiece.
- g) Ensure that the workpiece is securely mounted and does not protrude too far beyond the workbench to prevent bending of the saw blade and loss of control.
- h) Ensure that supports and power cords are removed from the cutting line.
- i) Secure the workpiece to a stable platform with minimal exposure to prevent blade deflection and loss of control.
- j) When sawing, stand to the side of the workpiece.
- k) The saw blade protrudes below the table.
- l) Do not reach under the workpiece where your hands are not protected from the saw blade.
- m) Pay attention to the direction of rotation of the motor and the saw blade.
- n) Inspect the workpiece and remove all objects near the saw before you start sawing.
- o) Do not apply lateral or twisting pressure to the saw blade while sawing.
- p) If the saw blade does not reach the full width of the workpiece, or if the saw blade jams in the workpiece, allow the saw to come to a complete stop before lifting the saw out of the workpiece.
- q) If the saw blade is jammed in the workpiece, you should turn off the machine before attempting to free the blade.
- r) Do not move the saw backward while cutting a workpiece.
- s) Watch out for flying sawing debris. It is the user's responsibility to protect bystanders from flying sawing debris.
- t) If you are interrupted while sawing, first finish the cut and switch off the machine before looking up.
- u) Before each use, check that the lower guard is functioning properly. Do not use the machine if the guard moves freely and closes completely. Never lock the guard in the open position. If the saw is accidentally dropped, the guard may be damaged. Ensure that the guard moves freely at every angle and cutting depth and does not touch the saw blade or any other part of the machine.
- v) Check that the saw blade is completely covered by the protective cover before putting the machine down. An unprotected saw blade will move the machine backwards and cut anything in its path. The saw blade does not stop immediately when you release the on/off switch.

- w) Regularly check that all bolts, nuts, and other fasteners are tightened securely.
- x) Only use saw blades recommended by the manufacturer and that comply with EN 847-1 if they are intended for wood and similar materials.

**The sawing machine may only be used for its intended purpose.** Any use other than that specified in this manual is considered misuse. The user, and not the manufacturer, is then liable for any damage or injury resulting from such misuse.

The manufacturer is not responsible for any modifications made to the tool, nor for any damage resulting from such modifications. Even when the machine is used as intended, all risk factors can never be completely ruled out.

## 2.7 BEFORE USE

- Prevent damage that may be caused by screws, nails, and other objects in your workpiece; remove these before starting a job.
- Use a suitable detection device to locate hidden power, gas, or water lines, or consult the local power or water company (contact with electrical lines can cause fire or electric shock; damage to a gas line can cause an explosion; breaking a water line causes property damage and can cause electric shock).
- Secure the workpiece (a workpiece secured with clamps or in a vise is more secure than one held by hand).

### **i** NOTE

» Only use the machine for its intended purpose. Any other use is considered misuse. The user, not the manufacturer, is liable for damage and/or injury resulting from misuse. The manufacturer is not liable for modifications to the machine and any resulting damage/injury.

## 2.8 ADDITIONAL SAFETY INSTRUCTIONS FOR BATTERIES AND CHARGERS

When using power tools, the following safety precautions must always be observed to prevent electric shock, injury, and/or fire. Read and pay close attention to these recommendations before using a machine.

### 2.8.1 BATTERIES

#### **⚠** WARNING!

- » Improper use of the battery can lead to fire, explosion, or other hazards.
- » Battery fluid can cause serious injury or damage to property. If battery fluid comes into contact with the skin, rinse the skin immediately with water. If a red rash, pain, or irritation occurs, consult a doctor immediately. If battery fluid comes into contact with the eyes, rinse the eyes immediately with water.
- Never attempt to open a battery.
- Do not expose the battery to water.
- Do not expose the battery to heat sources.



- Do not store batteries in places where the temperature may exceed 40 °C.
- Keep batteries out of the reach of children.
- Only charge batteries at an ambient temperature between 10 °C and 40 °C.
- Only charge batteries using the supplied charger/USB-C charging cable.
- Only use the batteries intended for use in the power tools. Using other batteries may result in injury and fire hazard.
- When disposing of batteries, follow the instructions in the section "**WASTE DISPOSAL AND RECYCLING.**".
- Do not damage or deform the battery by puncturing it or subjecting it to impact, as this may result in injury and fire hazard.
- Do not charge damaged batteries.
- Be extra careful with the battery. Do not drop it on a hard surface and do not subject it to pressure or any other form of mechanical stress. Keep the battery away from extreme heat and cold.
- Important! Danger! Never short-circuit the battery or expose it to moisture. Do not store the battery together with metal parts that could cause the contacts to short-circuit. The battery may overheat, catch fire, or explode.
- The battery cells in the battery pack are not replaceable.

Under extreme conditions of use, liquid may leak from the battery. If you notice liquid on the batteries, carefully remove the liquid from the battery using a cloth. Avoid skin contact. If the liquid does come into contact with the skin or eyes, follow the instructions below.

### 2.8.2 CHARGERS

#### **i** NOTE

- » Important! USB charger or fast charger are not included.
- » Recommended charging values: 5.0V DC. / 1.8 A (type C).

The charger is designed for a specific voltage. Always check that the mains voltage corresponds to the voltage on the type plate.

#### **⚠** WARNING!

- » Unplug the charger from the wall outlet when not in use and before cleaning and maintenance.
- Never replace the charger with a mains plug.
- Only use the charger to charge the included battery or batteries purchased specifically for the machine. Other batteries may rupture, causing injury and property damage.
- Never attempt to charge non-rechargeable batteries.
- Have a damaged power cord replaced by the manufacturer or an authorized service center to prevent hazards.
- Do not expose the charger to water.
- Do not open the charger.
- Do not puncture the charger.
- The machine/battery must be placed in a well-ventilated area during charging.
- The charger is intended for indoor use only.

## 2.9 INTENDED USE

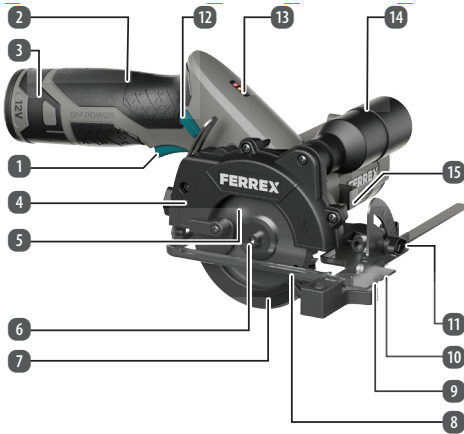
Battery circular saw, for making crosscuts, bevel cuts, and miter cuts in hard and soft woods and sheet metal.

- Only use the product as described in these instructions. Any other use is considered improper and may result in material damage or even personal injury.
- Possible injury if used incorrectly.
- The manufacturer or dealer accepts no liability for damage caused by improper or incorrect use.

## 3 SCOPE OF DELIVERY

- 1× Cordless circular saw
- 1× Battery
- 1× USB-C charging cable
- 1× Dust extraction adapter set
- 1× Saw blade
- 1× Allen key
- 1× Parallel stop
- 1× User manual

## 4 PRODUCT COMPONENTS



- |   |                         |    |                          |
|---|-------------------------|----|--------------------------|
| 1 | On/Off switch           | 8  | Base plate               |
| 2 | Insulated grip surfaces | 9  | 0° line                  |
| 3 | Battery                 | 10 | 45° line                 |
| 4 | Fixed protective cover  | 11 | Mitre angle lock button  |
| 5 | Saw blade               | 12 | Unlock button            |
| 6 | Blade locking bolt      | 13 | Battery charge indicator |
| 7 | Lower protective cover  | 14 | Dust extraction adapter  |
|   |                         | 15 | Spindle lock             |

## 5 BEFORE FIRST USE

### 5.1 CHECK PRODUCT AND SCOPE OF DELIVERY

#### ⚠ WARNING! SUFFOCATION HAZARD!

- » Keep all packaging materials away from children and pets; these materials are a potential source of danger, as you could suffocate on them or swallow small parts.

#### CAUTION! RISK OF INJURY!

- » Be careful when opening the packaging to avoid damaging the product. Avoid using sharp objects.

1. Remove the product from the packaging.
2. Remove the packaging material and all plastic/protective films.
3. Check that the delivery is complete (see **PRODUCT OVERVIEW** section).
4. Check the product or individual parts for damage. If this is the case, do not use the product. Contact the service center using the contact details provided on the front page of this manual.

### 5.2 BASIC CLEANING

Before first use, clean all parts of the product as described in the **CLEANING AND MAINTENANCE** section.

### 5.3 ASSEMBLY/DISASSEMBLY OF THE SAW BLADES

#### ⚠ WARNING!

- » Disconnect the battery.
  - » When handling sharp saw blades, it is recommended that you wear protective gloves.
- Check that the saw blade is suitable for the material to be cut.
  - Only attach saw blades that are in perfect condition. Blunt, bent, and/or damaged saw blades must be discarded.
  - Press the shaft lock button inwards and turn the saw blade by hand until the lock engages. Loosen the locking bolt with the Allen key.
  - Remove the locking bolt and blade flange.
  - Use the guard lever to retract the guard and remove the saw blade.
  - When installing the saw blade, make sure that the direction of rotation indicated on the saw blade is the same as the direction indicated by the saw blade direction indicator.
  - Reattach the blade flange and locking bolt to the machine. Press the shaft lock button and tighten with the spanner.
  - Release the shaft lock button and check that the saw blade is securely fastened.

#### i NOTE

- » It is recommended to practice on a piece of scrap material before cutting into the workpiece. Correct machine settings are crucial for obtaining accurate sawing results. Incorrect settings may damage workpieces.

### 5.4 INSTRUCTIONS FOR CORRECT USE OF THE DUST EXTRACTION SYSTEM

This circular saw produces sawdust and dust particles. To reduce exposure to dust, the saw must be used with a compatible dust extraction system. Failure to use dust extraction may reduce cutting performance and pose health risks.

This circular saw comes with a dust extraction adapter **14** for connection to a vacuum cleaner.

#### i NOTE

- » Even with the vacuum cleaner connected, fine dust may escape during use; always wear a suitable dust mask.

#### ⚠ WARNING!

- » Do not use with a blocked or clogged system.

#### 5.4.1 CONNECTING THE DUST EXTRACTION SYSTEM

- Only use the dust extraction adapter **14** supplied.
- Connect a vacuum cleaner hose of the correct diameter (Ø 35 mm) in a safe and airtight manner.
- Ensure that the connection is secure, without any openings, cracks, or leaks, so that all dust is extracted into the extraction system.
- Avoid sharp bends, kinks, or abrupt angles in the connection, as this can reduce the airflow.



- The hose must be of a suitable length and stiffness so that it does not interfere with the operation of the saw or pose a tripping hazard.
- Always switch on the dust extraction system before starting the saw and ensure constant extraction during sawing.

#### 5.4.2 USE OF THE DUST EXTRACTION SYSTEM

- Always ensure that extraction remains effective during sawing; do not use the saw if the dust collection system is disconnected, blocked, or has significantly reduced suction power.
- If the suction power decreases or if vibrations/noises indicate a blockage, stop the saw, remove the battery, and check/clean the hose or adapter.
- Direct the exhaust of the extraction system away from the user and the cutting area so that dust or debris is not blown back onto the workpiece or towards the user.

#### **⚠ WARNING!**

- » Do not allow sparks or hot chips to enter the extraction hose.

## 6 USE

### 6.1 HANDLING THE CIRCULAR SAW

- Hold the machine firmly by the handles **2**.
- Ensure that the saw blade has come to a complete standstill before setting the machine down.
- Ensure that the workpiece is securely fastened so that it does not move during sawing. Clamp the workpiece in place whenever possible.

### 6.2 MAKING A CUT

- Hold the machine firmly and place the front edge of the base plate **8** on the edge of the workpiece.
- Ensure that the saw blade is not in contact with the workpiece and/or other objects.
- Press the lock button and press the on/off switch **1** to turn on the machine.

#### **i NOTE**

- » The machine is equipped with two lock buttons – one on each side of the machine for both left- and right-handed use.

- Allow the motor to reach full speed and guide the machine smoothly through the workpiece.
- Maintain a constant speed and ensure that the base plate rests on the workpiece at all times.

#### **i NOTE**

- » The front edge of the base plate has a notch. For normal 0° cuts, align the 0° line with the cutting line. For 45° miter cuts, align the 45° line with the cutting line.

- Ensure that the saw blade has completely passed through the workpiece before releasing the on/off switch. When the cut ends at the edge of the workpiece, release the on/off switch and allow the blade to come to a complete stop before lifting the machine off the workpiece.
- Do not put the machine down before the saw blade has stopped.

### 6.3 SETTING THE MITER ANGLE

- The machine is equipped with a tilting base plate for making bevel cuts.
- Loosen the miter angle lock knob to tilt the base plate.
- Set the machine to the desired angle (0–45°) using the miter angle scale and tighten the lock knob.
- Check the accuracy by checking the angle between the blade and the base plate using a protractor.

### 6.4 ADJUSTING THE CUTTING DEPTH

- The machine is equipped with a cutting depth adjustment mechanism.
- Loosen the depth lock knob for free adjustment of the base plate.
- Set the machine to the correct cutting depth using the depth scale or a ruler and tighten the locking knob.
- When correctly adjusted, the teeth protrude approximately 3 mm below the bottom of the workpiece to be cut.

### 6.5 LED LIGHT

The LED light turns on automatically when you press the On/Off switch

**1**.

## 7 ACCESSORIES

Only use accessories with a permitted speed that is at least as high as the highest no-load speed of the machine.

## 8 CLEANING AND MAINTENANCE

### 8.1 CLEANING

#### **⚠ CAUTION! RISK OF SHORT CIRCUIT!**

- » Remove the battery from the product before cleaning.

#### **⚠ WARNING! RISK OF ELECTRIC SHOCK OR SHORT CIRCUIT**

- » Never immerse the product in water or other liquids. Ensure that no water or other liquids enter the housing.

#### **CAUTION! RISK OF DAMAGE!**

- » Do not use aggressive cleaning agents, brushes with metal or nylon bristles, or sharp or metal cleaning objects such as knives, hard spatulas, and the like. These can damage the surfaces of the product.



## 8.2 MAINTENANCE

### WARNING! RISK OF ELECTRIC SHOCK!

- » Remove the battery from the product before maintenance.
- » Any maintenance other than that specified in this manual must be carried out by a professional repair center. Contact customer service for maintenance.

## 8.3 STORAGE

### CAUTION! RISK OF DAMAGE!

- » Avoid and protect the product from dust, water, moisture, frost, extreme temperatures, high humidity, and direct sunlight.
- Before storage, clean all parts as described in the **CLEANING AND MAINTENANCE** section.
- Dry the product completely before storing it.
- Always store the product in a cool and dry place, with an ambient temperature between 5°C and 20°C.
- Keep the product out of the reach of children and pets.

## 8.4 TRANSPORT

- Protect the product from vibrations or shocks, e.g. when transporting it in vehicles.
- Secure the product against slipping. Use bungee cords, ratchet straps, or similar means.

## 9 TECHNICAL DATA

|  |                        |
|--|------------------------|
| No-load speed:                         | 1450 min <sup>-1</sup> |
| Saw blade diameter:                    | Ø 85 mm                |
| Drill saw blade:                       | Ø 15 mm                |
| Maximum cutting depth 90°:             | 26 mm                  |
| Maximum cutting depth 45°:             | 17 mm                  |
| Sound pressure level L <sub>pa</sub> : | 98,32 dB(A)            |
| Uncertainty K <sub>pa</sub> :          | 3 dB                   |
| Sound power level L <sub>wa</sub> :    | 106,32 dB(A)           |
| Uncertainty K <sub>wa</sub> :          | 3 dB                   |
| Hand Arm Vibration a <sub>h,w</sub> :  | 4.196 m/s <sup>2</sup> |
| Uncertainty K:                         | 1.5 m/s <sup>2</sup>   |

### BATTERY FBT-CLB014

|                                   |                                 |
|-----------------------------------|---------------------------------|
| Voltage:                          | 12V DC.                         |
| Capacity:                         | 2 Ah, 24 Wh                     |
| CHARGER FBT-CLC011 (not included) |                                 |
| Input:                            | 220 – 240 V ~<br>50–60 Hz, 50 W |
| Output:                           | 12V DC.                         |
| Charging current:                 | 2400 mA                         |

## 9.1 TOTAL VIBRATION AND NOISE EMISSION VALUES

The specified total vibration and noise emission values have been measured according to a standardized test procedure (EN 62841-1 & EN 62841-2-5) and can be used to compare power tools with each other. They can also be used for a preliminary assessment of exposure.

### WARNING!

- » Vibration and noise emissions may differ from the specified values during actual use of the power tool, depending on how the power tool is used, in particular the type of workpiece being processed.
- » It is necessary to take safety measures to protect the user based on an assessment of vibration exposure during actual operating conditions (taking into account all parts of the operating cycle, e.g., periods when the power tool is switched off and periods when it is switched on but running without load).
- » Aim to keep exposure to vibration and noise as low as possible. Examples of measures to reduce vibration exposure include wearing gloves when using the tool, limiting working time, and using accessories in good condition.

## 9.2 CHARGING VIA USB

The battery can be charged via a USB-C charger (input 5.0 V DC, 1.8 A) and/or a USB port.

### NOTE

- » Only the USB cable is included.

## 10 WASTE DISPOSAL AND RECYCLING

### 10.1 DISPOSING OF THE PACKAGING



Sort the packaging before you dispose of it. Dispose of paperboard and cardboard with the recycled paper service and wrappings with the appropriate collection service.

The product has been packaged to protect it from damage in transit. The packaging is made of materials that can be recycled in an environmentally friendly manner.

Dispose of the packaging such that it is correctly sorted. Submit cardboard and card to waste paper and foils to the recycling collection.

### 10.2 DISPOSING OF THE PRODUCT



Old products may not be disposed of in the household waste!

Should the product no longer be capable of being used at some point in time, dispose of it in accordance with the regulations in force in your city or county.

This ensures that old products are recycled in a professional manner and also rules out negative consequences for the environment and human health. For this reason, electrical equipment is marked with the symbol shown here.

## 10.3 BATTERY DISPOSAL



Batteries may not be disposed of with household waste! As the end user you are required by law to bring all batteries and rechargeable batteries, regardless whether they contain harmful substances\* or not, to a collection point run by the city or county, or to a retailer, so that they can be disposed of in an environmentally friendly manner.

\*labeled with: Cd = cadmium, Hg = mercury, Pb = lead

## 11 EC DECLARATION OF CONFORMITY

We hereby declare, **Batavia B.V., Weth. Wassebaliestraat 6d, NL-7951 SN Staphorst**, that the device **Cordless circular saw, Model FBT-CCS008**, complies with the relevant fundamental health and safety requirements of the EC directives: **2014/30/EU** (Electromagnetic Compatibility), **2006/42/EC** (Machinery), **2011/65/EU** (RoHS), **(EU) 2023/1542**. The following harmonized standards have been applied for the conformity assessment:

EN 62841-1:2015+A11:2022

EN 62841-2-5:2014

EN IEC 63000:2018

EN IEC 55014-1:2021

EN IEC 55014-2:2021

EN 62133-2:2017+A1:2021

Staphorst, 19 February 2026

Technical documentation retained by:

Jin Min, Batavia B.V., Weth. Wassebaliestraat 6d, 7951 SN Staphorst, Netherlands

The product and operating instructions are subject to change. The technical data may be changed without prior notice.

## 12 UK DECLARATION OF CONFORMITY

We, the **Batavia B.V., Weth. Wassebaliestraat 6d, NL-7951 SN Staphorst, Netherlands** declare by our own responsibility that the product **Cordless circular saw, Model FBT-CCS008**, is according to the basic requirements, which are defined in the UK Regulations Supply of Machinery (Safety) Regulations 2008, Electromagnetic Compatibility Regulations 2016, Restriction of the Use of Certain Hazardous Substances in Electrical and Electronic Equipment Regulations 2012 and their amendments.

Staphorst, 19 February 2026

Jin Min, QA Representative  
Batavia B.V., Weth. Wassebaliestraat 6d,  
7951 SN Staphorst, Netherlands

## 13 WARRANTY

Please contact our **AFTER SALES SUPPORT** by phone or e-mail before sending in the product.

This allows us to provide support in the event of possible operator errors.

### 13.1 WARRANTY CONDITIONS

Dear Customer,

The **ALDI warranty** offers you extensive benefits:

**Warranty period:** **3 years** from date of purchase.  
**6 months** for wear parts and consumables under normal and proper conditions of use (e.g., rechargeable batteries).

**Costs:** Free repair/exchange No transport costs

**Hotline:** 0 1827 438 013 (GB) | 0 124 695 20 (IE)  
(standard national landline call rate)

**Phone lines available:** Mon - Fri 8 a.m. - 7 p.m.

Please contact our **AFTER SALES SUPPORT** by phone or e-mail before sending in the device. This allows us to provide support in the event of possible operator errors.

**In order to make a claim under the warranty, please send us:**

- The faulty item together with the original purchase receipt
- The product with all components included in the packaging

**The warranty does not cover damage caused by:**

- **Accident or unanticipated events** (e.g. lightning, water, fire)
- **Improper use or transport**
- **Disregard of the safety and maintenance instructions**
- Other **improper treatment or modification** of the product

After the expiry of the warranty period, you still have the possibility to have your product repaired at your own expense. If the repair or the estimate of costs is not free of charge, you will be informed accordingly in advance.

This warranty does not affect your statutory rights. In the event that a product is received for repair, neither the service company nor the seller will assume any liability for data or settings possibly stored on the product by the customer.



**PRODUCED IN  
CHINA FOR** **ALDI STORES LTD.**  
PO Box 26,  
ATHERSTONE,  
WARWICKSHIRE,  
CV9 2SH

**ALDI STORES (IRELAND) LTD.**  
PO Box 726,  
NAAS,  
CO. KILDARE  
VISIT US AT [WWW.ALDI.COM](http://WWW.ALDI.COM)

**MADE IN CHINA**

**V02/0126**