



USER MANUAL

CORDLESS RECIPROCATING SAW 12V d.c.



FERREX®

BATAVIA B.V.
WETH. WASSEBALIESTRAAT 6D
NL-7951 SN STAPHORST, NL
WWW.BATAVIAPOWER.COM

AFTER SALES SUPPORT

715117 

 AU

 1 800 130 489

 SERVICE-AU@PROTEL-SERVICE.COM

MODEL: FBT-CRS006

06/2026

3
YEAR WARRANTY



CONTENT

1 General	3
2 Safety	3
2.1 Explanation of signal words	3
2.2 Explanation of symbols	3
2.3 General power tool safety warnings	3
2.4 Safety instructions for reciprocating saws	5
2.5 Additional safety instructions	5
2.6 Before use	5
2.7 During use	5
2.8 Additional safety instructions for batteries and chargers	5
2.9 Intended use	6
3 Scope of delivery	6
4 Product Overview	6
5 Before first use	6
5.1 Check the product and scope of delivery	6
5.2 Basic cleaning	6
6 Operation	7
6.1 Fitting accessories	7
6.2 Battery	7
6.3 Operation	7
7 Accessories	8
8 Cleaning and care	8
8.1 Cleaning	8
8.2 Maintenance and care	8
8.3 Storage	8
8.4 Transport	8
9 Technical data	8
9.1 Charging via USB	8
10 Waste disposal and recycling	8
10.1 Disposing of the Packaging	8
10.2 Disposing of the Product	9
10.3 Battery disposal	9
11 Warranty	9
11.1 Warranty Certificate	9
11.2 Proof of Purchase	9
11.3 Extent of Warranty	9
11.4 Normal Wear and Tear	9
11.5 Exclusions	9
11.6 To Make a Claim	9
11.7 Warranty Details	9
11.8 Repair and Refurbished Goods or Parts Notice	10



1 GENERAL



The user manuals provide useful advice on using your new appliance. They will help you to use all the functions, avoid misunderstandings and prevent damage. Please take the time to read this manual carefully and keep it for future

reference.

Please read all the safety instructions!

This manual contains important information on using and handling the appliance. Keep these operating instructions for future reference. Please pass it on with the appliance if it is handed over to third parties. This manual is available in PDF format at www.ferrex12vpower.com.

2 SAFETY

2.1 EXPLANATION OF SIGNAL WORDS

The following signal words are used in this manual, on the product and/or on the packaging.

DANGER!

- » This signal word indicates a dangerous situation which, if not avoided, will result in death or serious injury.

WARNING!

- » This signal word indicates a dangerous situation which, if not avoided, could result in death or serious injury.

CAUTION!

- » This signal word indicates a hazardous situation which, if not avoided, could result in minor or moderate injury.

CAUTION!

- » This signal word indicates a dangerous situation which, if not avoided, could result in property damage.

A NOTICE

- » This signal word is a preferred signal word for tips and practices that are not related to personal injury.

2.2 EXPLANATION OF SYMBOLS

The following symbols are used in these instructions, on the product or on the packaging.



WARNING - To reduce the risk of injury, read the operating instructions.



Always wear hearing protection. Exposure to noise can cause hearing loss.



Wear a dust mask. Working with wood and other materials can produce harmful dust. Material containing asbestos must not be processed!



Wear safety goggles. Sparks generated during work or splinters, chips and dust emitted from the power tool can cause loss of vision.



Do not expose the battery to temperatures above 40 °C.



Do not dispose of the battery in a fire. Risk of explosion!



Avoid water contact with the battery. Do not throw the battery into water. Risk of explosion!



RCM stands for: "Regulatory Compliance Mark". This means "Compliant with Australian regulations". With the RCM mark, the manufacturer confirms that this unit complies with the applicable Australian regulations.

2.3 GENERAL POWER TOOL SAFETY WARNINGS

WARNING!

- » **Read all safety warnings, instructions, illustrations and specifications provided with this power tool.** Failure to follow all instructions listed below may result in electric shock, fire and/or serious injury.
- » **Save all warnings and instructions for future reference.**

The term "power tool" in the warnings refers to your mains-operated (corded) power tool or battery-operated (cordless) power tool.

2.3.1 WORK AREA SAFETY

- Keep work area clean and well lit.** Cluttered or dark areas invite accidents.
- Do not operate power tools in explosive atmospheres, such as in the presence of flammable liquids, gases or dust.** Power tools create sparks which may ignite the dust or fumes.
- Keep children and bystanders away while operating a power tool.** Distractions can cause you to lose control.

2.3.2 ELECTRICAL SAFETY

- Power tool plugs must match the outlet. Never modify the plug in any way. Do not use any adapter plugs with earthed (grounded) power tools.** Unmodified plugs and matching outlets will reduce risk of electric shock.
- Avoid body contact with earthed or grounded surfaces, such as pipes, radiators, ranges and refrigerators.** There is an increased risk of electric shock if your body is earthed or grounded.
- Do not expose power tools to rain or wet conditions.** Water entering a power tool will increase the risk of electric shock.
- Do not abuse the cord. Never use the cord for carrying, pulling or unplugging the power tool. Keep cord away from heat, oil, sharp edges or moving parts.** Damaged or entangled cords increase the risk of electric shock.



- e) **When operating a power tool outdoors, use an extension cord suitable for outdoor use.** Use of a cord suitable for outdoor use reduces the risk of electric shock.
- f) **If operating a power tool in a damp location is unavoidable, use a residual current device (RCD) protected supply.** Use of an RCD reduces the risk of electric shock.
- d) **Store idle power tools out of the reach of children and do not allow persons unfamiliar with the power tool or these instructions to operate the power tool.** Power tools are dangerous in the hands of untrained users.
- e) **Maintain power tools and accessories. Check for misalignment or binding of moving parts, breakage of parts and any other condition that may affect the power tool's operation. If damaged, have the power tool repaired before use.** Many accidents are caused by poorly maintained power tools.

2.3.3 PERSONAL SAFETY

- a) **Stay alert, watch what you are doing and use common sense when operating a power tool. Do not use a power tool while you are tired or under the influence of drugs, alcohol or medication.** A moment of inattention while operating power tools may result in serious personal injury.
- b) **Use personal protective equipment. Always wear eye protection.** Protective equipment such as a dust mask, non-skid safety shoes, hard hat or hearing protection used for appropriate conditions will reduce personal injuries.
- c) **Prevent unintentional starting. Ensure the switch is in the off-position before connecting to power source and/or battery pack, picking up or carrying the tool.** Carrying power tools with your finger on the switch or energising power tools that have the switch on invites accidents.
- d) **Remove any adjusting key or wrench before turning the power tool on.** A wrench or a key left attached to a rotating part of the power tool may result in personal injury.
- e) **Do not overreach. Keep proper footing and balance at all times.** This enables better control of the power tool in unexpected situations.
- f) **Dress properly. Do not wear loose clothing or jewellery. Keep your hair and clothing away from moving parts.** Loose clothes, jewellery or long hair can be caught in moving parts.
- g) **If devices are provided for the connection of dust extraction and collection facilities, ensure these are connected and properly used.** Use of dust collection can reduce dust-related hazards.
- h) **Do not let familiarity gained from frequent use of tools allow you to become complacent and ignore tool safety principles.** A careless action can cause severe injury within a fraction of a second.
- f) **Keep cutting tools sharp and clean.** Properly maintained cutting tools with sharp cutting edges are less likely to bind and are easier to control.
- g) **Use the power tool, accessories and tool bits etc. in accordance with these instructions, taking into account the working conditions and the work to be performed.** Use of the power tool for operations different from those intended could result in a hazardous situation.
- h) **Keep handles and grasping surfaces dry, clean and free from oil and grease.** Slippery handles and grasping surfaces do not allow for safe handling and control of the tool in unexpected situations.

2.3.5 BATTERY TOOL USE AND CARE

- a) **Recharge only with the charger specified by the manufacturer.** A charger that is suitable for one type of battery pack may create a risk of fire when used with another battery pack.
- b) **Use power tools only with specifically designated battery packs.** Use of any other battery packs may create a risk of injury and fire.
- c) **When battery pack is not in use, keep it away from other metal objects, like paper clips, coins, keys, nails, screws or other small metal objects, that can make a connection from one terminal to another.** Shorting the battery terminals together may cause burns or a fire.
- d) **Under abusive conditions, liquid may be ejected from the battery; avoid contact. If contact accidentally occurs, flush with water. If liquid contacts eyes, additionally seek medical help.** Liquid ejected from the battery may cause irritation or burns.
- e) **Do not use a battery pack or tool that is damaged or modified.** Damaged or modified batteries may exhibit unpredictable behaviour resulting in fire, explosion or risk of injury.
- f) **Do not expose a battery pack or tool to fire or excessive temperature.** Exposure to fire or temperature above 130 °C may cause explosion.
- g) **Follow all charging instructions and do not charge the battery pack or tool outside the temperature range specified in the instructions.** Charging improperly or at temperatures outside the specified range may damage the battery and increase the risk of fire.

2.3.4 POWER TOOL USE AND CARE

- a) **Do not force the power tool. Use the correct power tool for your application.** The correct power tool will do the job better and safer at the rate for which it was designed.
- b) **Do not use the power tool if the switch does not turn it on and off.** Any power tool that cannot be controlled with the switch is dangerous and must be repaired.
- c) **Disconnect the plug from the power source and/or remove the battery pack, if detachable, from the power tool before making any adjustments, changing accessories, or storing power tools.** Such preventive safety measures reduce the risk of starting the power tool accidentally.
- a) **Have your power tool serviced by a qualified repair person using only identical replacement parts.** This will ensure that the safety of the power tool is maintained.

2.3.6 SERVICE



- b) **Never service damaged battery packs.** Service of battery packs should only be performed by the manufacturer or authorized service providers.

2.4 SAFETY INSTRUCTIONS FOR RECIPROCATING SAWS

- a) **Hold the power tool by insulated gripping surfaces, when performing an operation where the cutting accessory may contact hidden wiring.** Cutting accessory contacting a "live" wire may make exposed metal parts of the power tool "live" and could give the operator an electric shock.
- b) **Use clamps or another practical way to secure and support the workpiece to a stable platform.** Holding the workpiece by hand or against your body leaves it unstable and may lead to loss of control.

2.5 ADDITIONAL SAFETY INSTRUCTIONS

The power tool must not be wet and must not be operated in a wet environment. Wear protective gloves and sturdy shoes.

Hold the power tool by insulated gripping surfaces when performing an operation where the cutting accessory may come into contact with hidden wiring.

If the cutting accessory comes into contact with a „live“ wire, exposed metal parts of the power tool can become „live“ and give the operator an electric shock.

DANGER!

» Do not saw materials containing asbestos!

- Wear safety glasses when working with materials that generate large amounts of splinters.
- Wear a protective mask when sawing other fibrous materials.
- Remove adjustment keys and spanners before switching the tool on.
- Secure your workpiece with clamps.
- Only move the device towards the workpiece when it is switched on.
- Hold the device with both hands and make sure that you stand securely when working.
- The device can only be operated when the base plate **1** is attached. The base plate must always rest on the workpiece when sawing.
- Incorrect handling can damage the device. Therefore, always follow the instructions below.
- Only use sharp saw blades that are in perfect condition. Immediately replace torn, bent or blunt saw blades.
- The device should only be switched on when a saw blade is attached.
- Do not try to stop the saw blade by pressing on the side after switching it off.
- Only use original accessories.

2.6 BEFORE USE

- Report any damage to your workpiece caused by screws, nails or similar; remove these before starting work.

- Use suitable detection equipment to locate hidden power lines or contact the local utility company (contact with electrical lines can lead to fire and electric shock; damage to a gas line can lead to an explosion; penetration into a water line causes property damage or can cause electric shock).
- Secure the workpiece (a workpiece held in clamps or a vice is more secure than holding it by hand).

2.7 DURING USE

- Hold the power tool by the insulated gripping surfaces **9** when performing work where the accessory tool can come into contact with hidden power lines (contact with a live wire can also make metal parts of the power tool live and lead to an electric shock).
- In the event of atypical behavior or extraneous noises, switch the tool off immediately or unplug the charger from the socket.

2.8 ADDITIONAL SAFETY INSTRUCTIONS FOR BATTERIES AND CHARGERS

To avoid malfunctions, damage and health impairments, please observe the attached general safety instructions and the following information:

2.8.1 BATTERIES

WARNING!

- » Improper handling of batteries may result in fire, explosion or other hazards.
- » The battery fluid can cause personal injury or property damage. If the solution comes into contact with the skin, immediately rinse with plenty of water. If redness, pain or irritation occurs, seek medical attention. If it comes into contact with the eyes, immediately rinse with clean water and seek medical attention.

- Never attempt to open a battery.
- Do not expose the battery to moisture.
- Do not expose the battery to heat.
- Do not store in a place where the temperature may exceed 40 °C.
- Keep batteries away from children.
- Charge only at ambient temperatures between 10 °C and 40 °C.
- Only charge the battery with the charger (FBT-CLC011) or the USB-C charging cable included in the package.
- Only use the batteries intended for this purpose in the power tools. The use of other batteries can lead to injury and the risk of fire.
- When disposing of batteries, follow the instructions in the "**BATTERY DISPOSAL**" section.
- Do not damage or deform the battery - neither by puncturing nor by hitting it - as this may cause injury and a fire.
- Do not charge damaged batteries.
- Handle the battery with care, do not drop it, or subject it to pressure, other mechanical stress, or extreme heat or cold.
- Warning: risk of accident! Do not short-circuit the battery, never expose it to moisture and do not store it together with metal objects that could short-circuit the contacts. The battery could become very hot, catch fire or explode.

- The battery cells in the battery pack are not replaceable.

Under extreme conditions, battery fluid may leak. If you notice fluid on the batteries, wipe it off carefully with a cloth. Avoid contact with skin. If fluid does come into contact with skin or eyes, follow the instructions above.

2.8.2 CHARGERS

i A NOTICE

- » Important! USB charger or quick charger are not included.
- » Recommended charging values: 5.0V d.c. / 1.8 A (Type C).

The charger is designed for a specific voltage. Always check that the mains voltage matches the voltage on the data plate.

⚠ WARNING!

- » When the charger is not in use and before cleaning and maintenance, unplug the charger from the power socket.

- Never replace the charger with a power plug.
- Only use your charger to charge the type of battery included in the delivery. Other batteries may burst and cause property damage and personal injury.
- Never attempt to charge non-rechargeable batteries.
- If the power cord is damaged, it must be replaced by the manufacturer or a service centre in order to avoid a hazard.
- Have damaged cables replaced immediately.
- Never expose the charger to moisture.
- Do not open the charger.
- Do not put your fingers or any objects into the charger.
- Device/tool/battery must be in a well-ventilated place when charging.
- The charger is intended for indoor use only.

2.9 INTENDED USE

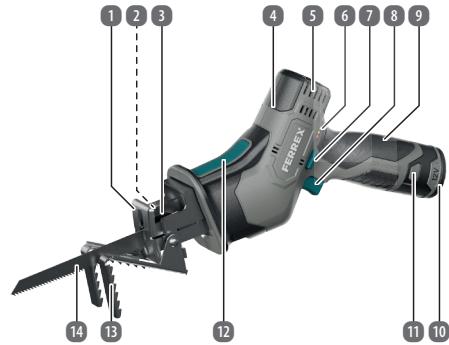
Versatile cordless reciprocating saw for working with wood, metal and plastic. The machine may only be used as intended.

- Only use the product as described in these instructions. Any other use is considered improper and may result in damage to property or even personal injury.
- Potential injuries due to improper use.
- The manufacturer or dealer accepts no liability for damage caused by improper or incorrect use.

3 SCOPE OF DELIVERY

- 1× Cordless reciprocating saw
- 1× Rechargeable battery
- 1× USB-C charging cable
- 1× 200 mm HCS Saw blade for wood
- 1× Pruning bracket
- 1× Operating instructions

4 PRODUCT OVERVIEW



- | | | | |
|---|-------------------------|----|--------------------------------|
| 1 | Base plate | 8 | On/off switch |
| 2 | Blade holder | 9 | Handle |
| 3 | Blade locking ring | 10 | Battery |
| 4 | Front handle | 11 | Battery release tab |
| 5 | Ventilation slots | 12 | Pruning bracket release button |
| 6 | Battery level indicator | 13 | Pruning bracket |
| 7 | Lock button | 14 | Saw blade |

5 BEFORE FIRST USE

5.1 CHECK THE PRODUCT AND SCOPE OF DELIVERY

⚠ WARNING! CHOKING HAZARD!

- » Keep all packaging materials away from children and pets - these materials pose a potential hazard, such as choking or swallowing small parts.

CAUTION! RISK OF DAMAGE!

- » Be careful when opening the packaging to avoid damaging the product. Avoid using sharp objects.

1. Remove the product from the packaging.
2. Remove the packaging material and all plastic/protective films.
3. Check whether the delivery is complete (see chapter **SCOPE OF DELIVERY**).
4. Check whether the product or its parts are damaged. If this is the case, do not use the product. Contact the service centre using the contact details provided on the front page of this manual.

5.2 BASIC CLEANING

1. Before using the product for the first time, clean all parts of the product as described in the **CLEANING AND CARE** chapter.

6 OPERATION

6.1 FITTING ACCESSORIES

WARNING!

- » Disconnect the battery from the tool before carrying out any work on the tool.

6.1.1 FITTING A SAW BLADE

The tool is equipped with a quick fitting system.

- Turn the saw blade locking ring **3** as far to the left as possible and hold it there.
- Insert the saw blade into the blade holder **2**.
- Release the saw blade locking ring **3**.
- When changing the blade, make sure that the blade holder **2** is free of debris (such as wood or metal splinters).
- Always check that the saw blade is securely fastened before use.

6.1.2 REMOVING THE SAW BLADE.

- Turn the saw blade locking ring **3** as far to the left as possible and hold it there.
- Remove the saw blade from its holder.
- Release the saw blade locking ring.

6.1.3 PRUNING BRACKET

The pruning bracket helps you to guide the power tool safely when cutting branches. You are free to carry out sawing work with or without the pruning bracket.

6.1.4 ATTACHING/REMOVING THE PRUNING BRACKET

- Attachment:
 - Press the release button **12** of the pruning bracket **13**.
 - Then slide the pruning bracket over the guides of the base plate into the tool.
 - Then ensure that the release button **12** of the pruning bracket **13** cannot be accidentally activated.
- Removal:
 - Press the release button **12** for the pruning bracket **13** and pull the pruning bracket forwards out of the tool.

6.2 BATTERY

6.2.1 INSERTING THE BATTERY

Push the charged battery **10** into the battery holder until it clicks into place.

6.2.2 REMOVING THE BATTERY

To remove the battery, press the battery release tabs **11** and pull the battery out. Do not use force when doing so.

6.3 OPERATION

WARNING!

- » Always follow the safety instructions and applicable safety laws.
- » Make sure that the saw blade does not rest on or touch other objects when the device is switched on.

6.3.1 SWITCHING ON

- Press the lock button **7** and the on/off switch **8**.
- You can continuously control the stroke rate using the on/off switch **8**. The further you press the switch, the higher the stroke rate.

6.3.2 SWITCHING OFF

- Release the on/off switch **8**.

6.3.3 TIPS FOR SAWING

- Adjust the saw blade and stroke speed according to the material to be processed. For precise circular curves, it is best to use a narrow saw blade. When sawing metal, wobble and flutter can be counteracted by applying coolant or lubricant along the cutting line.
- Before sawing, inspect wood, chipboard, building materials, etc. for foreign objects (nails, screws, etc.) and remove them if necessary.
- Clamp the material firmly. Do not support the workpiece with your hand or foot. Do not touch objects or the floor with the running saw (risk of kickback).
- Place the base plate **1** on the surface of the workpiece and saw through it with a constant contact pressure or feed. If the saw blade becomes blocked, switch the device off immediately. Widen the gap with a suitable tool and pull out the saw blade.
- When you have finished working, switch the device off and do not put it down until it has come to a complete stop.

6.3.4 PLUNGE CUTTING

- Plunge cutting may only be used on soft materials such as wood, aerated concrete, plasterboard, etc.
- However, this requires a certain amount of experience and is only possible with short saw blades.
- Place the saw on the workpiece and switch it on.
- Make sure that the lower edge of the base plate **1** rests on the workpiece surface.
- Slowly saw into the workpiece at an angle by bringing the saw into a vertical position and continuing to saw along the cutting line.
- Turn off the saw and pick up the workpiece when the work is finished.

6.3.5 FLUSH SAWING

- Elastic bi-metal saw blades (not included) allow you to saw off protruding objects (eg water pipes, iron bars, etc.) close to the wall.
- Place the saw blade directly against the wall and bend it slightly so that the base plate **1** rests directly against the wall.
- Turn on the device and saw off the workpiece, maintaining a constant lateral pressure on the wall.

7 ACCESSORIES

Only use accessories whose permissible speed is at least as high as the highest idle speed of the tool.

8 CLEANING AND CARE

8.1 CLEANING

⚠ DANGER! RISK OF ELECTRIC SHOCK!

- » Unplug the product from the power outlet before cleaning.

⚠ WARNING! RISK OF ELECTRIC SHOCK OR SHORT CIRCUIT!

- » Never immerse the product in water or other liquids. Avoid allowing water or other liquids to enter the housing.

⚠ CAUTION! RISK OF SHORT CIRCUIT!

- » Remove the battery from the product before cleaning.

CAUTION! RISK OF DAMAGE!

- » Do not use aggressive cleaning agents, brushes with metal or nylon bristles or sharp or metallic cleaning objects such as knives, hard spatulas and the like. These could damage the surfaces of the product.

1. Switch the device off and remove the battery.
2. Let the device and the insertion tool cool down completely.
3. Wipe the housing of the device with a clean, slightly damp cloth.
4. Clean the connection contacts of the battery holder with a dry, soft cloth.
5. Dry the device thoroughly and leave it to dry completely for some time.

8.2 MAINTENANCE AND CARE

⚠ WARNING! RISK OF ELECTRIC SHOCK!

- » Unplug the product before servicing. Any servicing other than that mentioned in this manual should be carried out by a professional repair centre. Contact customer service for servicing.

8.3 STORAGE

CAUTION! RISK OF DAMAGE!

- » Avoid and protect the product from dust, water, moisture, frost, extreme temperatures, high humidity and direct sunlight.

- Before storing, clean all parts as described in the "CLEANING AND CARE" chapter.
- Dry the product completely before storing.
- Always store the product in a cool, dry place at an ambient temperature between 5 °C and 20 °C.
- Store the product out of reach of children and pets.

8.4 TRANSPORT

- Protect the product from vibrations or shocks, for example when transporting it in vehicles.
- Secure the product to prevent it from slipping. Use bungee cords, ratchet straps or similar means.

9 TECHNICAL DATA

Speed:	0 – 2500 min ⁻¹
Stroke length:	20 mm
Weight:	1.04 kg
Sound pressure level L_{pt}:	86.17 dB(A)
Uncertainty K_{pt}:	5 dB(A)
Sound power level L_{WA}:	94.17 dB(A)
Uncertainty K_{WA}:	5 dB(A)

HAND-ARM VIBRATION

Chipboard a_{h,B}:	13.40 m/s ²
Wooden beam a_{h,WB}:	9.051 m/s ²
Uncertainty K:	1.5 m/s ²

BATTERY FBT-CLB014

Voltage:	12V d.c.
Capacity:	2 Ah, 24 Wh

CHARGER FBT-CLC011

(not included in scope of supply)

Input:	220 – 240 V ~ 50 – 60 Hz, 50 W
Output:	12 V d.c.
Charging current:	2400 mA

9.1 CHARGING VIA USB

The battery can be charged via a USB-C charger (5V d.c. input, 1.8 A) and/or a USB port.

i NOTICE

- » Only the USB cable is included in the delivery.

10 WASTE DISPOSAL AND RECYCLING

10.1 DISPOSING OF THE PACKAGING



Box

The product has been packaged to protect it from damage in transit. Packaging materials are raw materials and can therefore be reused or recycled. Please dispose in your recycling bin. This is recyclable.



Insert

The product has been packaged to protect it from damage in transit. Packaging materials are raw materials and can therefore be reused or recycled. Please dispose in your recycling bin. This is recyclable.

10.2 DISPOSING OF THE PRODUCT



Dispose of the product in accordance with the applicable laws and regulations for your country.

10.3 BATTERY DISPOSAL



Batteries may not be disposed of with household waste! As the end user you are required by law to bring all batteries and rechargeable batteries, regardless whether they contain harmful substances* or not, to a collection point run by the city or county, or to a retailer, so that they can be disposed of in an environmentally friendly manner.
*labeled with: Cd = cadmium, Hg = mercury, Pb = lead

The product and user manual are subject to change. Specifications are subject to change without notice.

11 WARRANTY

11.1 WARRANTY CERTIFICATE

REGISTER YOUR PURCHASE AT www.aldi.com.au/en/about-aldi/product-registration TO KEEP UP-TO-DATE WITH IMPORTANT PRODUCT INFORMATION

Congratulations! You have made an excellent choice of this quality product. Our commitment to quality also includes our service. Should you, contrary to expectations, experience defects due to manufacturing faults, ALDI will provide you with a warranty against defects as follows:

The product is guaranteed to be free from defects in workmanship and parts for a period of 3 years (dependant on product) from the date of purchase. Defects that occur within this warranty period, under normal use and care, will be repaired, replaced or refunded at our discretion.

The benefits conferred by this warranty are in addition to all rights and remedies in respect of the product that the consumer has under the Competition and Consumer Act 2010 and similar state and territory laws. Our goods come with guarantees that cannot be excluded under the Australian Consumer Law. You are entitled to a replacement or refund for a major failure and for compensation for any other reasonably foreseeable loss or damage. You are also entitled to have the goods repaired or replaced if the goods fail to be of acceptable quality and the failure does not amount to a major failure.

11.2 PROOF OF PURCHASE

This warranty is valid for the original purchase and is not transferable. Please keep your purchase docket, tax invoice or receipt as the best proof of purchase, and as proof of date on which the purchase was made.

11.3 EXTENT OF WARRANTY

This warranty is limited to defects in workmanship or parts. All defective products or parts will be repaired or replaced. This warranty does not cover batteries or any other consumable items.

11.4 NORMAL WEAR AND TEAR

This warranty does not cover normal wear and tear to the products or parts.

11.5 EXCLUSIONS

This warranty does not cover:

- Any defects caused by an accident, misuse, abuse, improper installation or operation, lack of reasonable care, unauthorised modification, loss of parts, tampering or attempted repair by a person not authorised by the distributor.
- Any product that has not been installed, operated or maintained in accordance with the manufacturer's operating instructions provided with the product.
- Any product that has been used for purposes other than domestic use.
- Any damage caused by improper power input or improper cable connection.

11.6 TO MAKE A CLAIM

This warranty against defects is provided by:

ALDI Stores, Locked Bag 56, St Marys Delivery Centre, NSW 2760, Phone (02) 9675 9000.

If a defect in the goods appears within 3 years (the identified period on the packaging), you are entitled to claim a warranty, please contact or send all warranty claims to:

ACR Supply Partners Pty Ltd. 50 Old Wallgrove Road, Eastern Creek, NSW 2766, AUSTRALIA

Tel: 1 800 130 489 (Mon-Fri 8 am - 8 pm AEST)

Aldi-AU@protel-service.com

When making a return, please ensure the product is properly packaged so as to ensure that no damage occurs to the product during transit. Please provide the original or a copy of the proof of purchase. Also please make sure you have included an explanation of the problem. Please note that the costs of making a warranty claim, including any return postage, will be covered by the supplier identified above. Please note upon receiving your warranty claim, the supplier will send, via the post or email, a repair and refurbished goods or parts notice. Please provide your email address and advise the supplier, if you wish to obtain a repair and refurbished goods or parts notice via email.

11.7 WARRANTY DETAILS

The product is guaranteed to be free from defects in workmanship and parts for a period of 3 years from the date of purchase. Defects that occur within this warranty period, under normal use and care, will be repaired, replaced or refunded at our discretion. The benefits conferred by this warranty are in addition to all rights and remedies in respect of the product that the consumer has under the Competition and Consumer Act 2010 and similar state and territory laws.

Our goods come with guarantees that cannot be excluded under the Australian Consumer Law. You are entitled to a replacement or refund for a major failure and for compensation for any other reasonably foreseeable loss or damage. You are also entitled to have the goods repaired or replaced if the goods fail to be of acceptable quality and the failure does not amount to a major failure.

11.8 REPAIR AND REFURBISHED GOODS OR PARTS NOTICE

Unfortunately, from time to time, faulty products are manufactured which need to be returned to the Supplier for repair.

Please be aware that if your product is capable of retaining user-generated data (such as files stored on a computer hard drive, telephone numbers stored on a mobile telephone, songs stored on a portable media player, games saved on a games console or files stored on a USB memory stick) during the process of repair, some or all of your stored data may be lost.

We recommend you save this data elsewhere prior to sending the product for repair.

You should also be aware that rather than repairing goods, we may replace them with refurbished goods of the same type or use refurbished parts in the repair process.

Please be assured though, refurbished parts or replacements are only used where they meet ALDI's stringent quality specifications.

If at any time you feel your repair is being handled unsatisfactorily, you may escalate your complaint. Please telephone us on 1 800 130 489 or write to us at:

ACR Supply Partners Pty Ltd.50 Old Wallgrove Road, Eastern Creek,
NSW 2766AUSTRALIA

Tel: 1 800 130 489 (Mon-Fri, 8 am - 8 pm AEST)

Aldi-AU@protel-service.com





DISTRIBUTED BY **ALDI STORES**
1 SARGENTS ROAD,
MINCHINBURY NSW 2770
WWW.ALDI.COM.AU

MADE IN CHINA

V01/0326