



USER MANUAL

CORDLESS RECIPROCATING SAW 12V



FERREX®

AFTER SALES SUPPORT

859076

GB

☎ 0 1827 438 013

💻 SERVICE-UK@PROTEL-SERVICE.COM

IE

☎ 0 124 695 20

💻 SERVICE-UK@PROTEL-SERVICE.COM

MODEL: FBT-CRS006

05/2026

3
YEAR WARRANTY

ORIGINAL INSTRUCTION MANUAL

CONTENT

| | |
|---|----------|
| 1 General | 3 |
| 2 Security | 3 |
| 2.1 Explanation of signal words | 3 |
| 2.2 Explanation of symbols | 3 |
| 2.3 General power tool safety warnings | 3 |
| 2.4 Safety instructions for reciprocating saws | 5 |
| 2.5 Additional safety instructions | 5 |
| 2.6 Before use | 5 |
| 2.7 During use | 5 |
| 2.8 Additional safety instructions for batteries and chargers | 5 |
| 2.9 Intended use | 6 |
| 3 Scope of delivery | 6 |
| 4 Product Overview | 6 |
| 5 Before first use | 6 |
| 5.1 Check the product and scope of delivery | 6 |
| 5.2 Basic cleaning | 7 |
| 6 Operation | 7 |
| 6.1 Fitting accessories | 7 |
| 6.2 Battery | 7 |
| 6.3 Operation | 7 |
| 7 Accessories | 8 |
| 8 Cleaning and care | 8 |
| 8.1 Cleaning | 8 |
| 8.2 Maintenance and care | 8 |
| 8.3 Storage | 8 |
| 8.4 Transport | 8 |
| 9 Technical data | 8 |
| 9.1 Charging via USB | 8 |
| 10 Waste disposal and recycling | 8 |
| 10.1 Disposing of the packaging | 8 |
| 10.2 Disposing of the Product | 9 |
| 10.3 Battery disposal | 9 |
| 11 EC-Declaration of conformity | 9 |
| 12 UK Declaration of Conformity | 9 |

1 GENERAL



The user manuals provide useful advice on using your new appliance. They will help you to use all the functions, avoid misunderstandings and prevent damage. Please take the time to read this manual carefully and keep it for future

reference.

Please read all the safety instructions!

This manual contains important information on using and handling the appliance. Keep these operating instructions for future reference. Please pass it on with the appliance if it is handed over to third parties. This manual is available in PDF format at www.ferrex12vpower.com

2 SECURITY

2.1 EXPLANATION OF SIGNAL WORDS

The following signal words are used in this manual, on the product and/or on the packaging.

DANGER!

- » This signal word indicates a dangerous situation which, if not avoided, will result in death or serious injury.

WARNING!

- » This signal word indicates a dangerous situation which, if not avoided, could result in death or serious injury.

CAUTION!

- » This signal word indicates a hazardous situation which, if not avoided, could result in minor or moderate injury.

CAUTION!

- » This signal word indicates a dangerous situation which, if not avoided, could result in property damage.

A NOTICE

- » This signal word is a preferred signal word for tips and practices that are not related to personal injury.

2.2 EXPLANATION OF SYMBOLS

The following symbols are used in these instructions, on the product or on the packaging.



WARNING - To reduce the risk of injury, read the operating instructions.



Always wear hearing protection. Exposure to noise can cause hearing loss.



Wear a dust mask. Working with wood and other materials can produce harmful dust. Material containing asbestos must not be processed!



Wear safety goggles. Sparks generated during work or splinters, chips and dust emitted from the power tool can cause loss of vision.



Do not expose the battery to temperatures above 40 °C.



Do not dispose of the battery in a fire. Risk of explosion!



Avoid water contact with the battery. Do not throw the battery into water. Risk of explosion!



The "Tested Safety" seal (GS mark) confirms that the product complies with the Product Safety Act (ProdSG) and is safe when used in a foreseeable and intended manner.



Products marked with this symbol fulfil all applicable Community regulations of the European Economic Area.



UKCA stands for: "UK Conformity Assessment". This means "Compliant with UK regulations". With the UKCA mark manufacturer confirms that this unit complies with the applicable UK regulations.



Do not dispose of with household waste!

2.3 GENERAL POWER TOOL SAFETY WARNINGS

WARNING!

- » Improper handling of the product can cause damage.

WARNING!

- » **Read all safety warnings, instructions, illustrations and specifications provided with this power tool.** Failure to follow all instructions listed below may result in electric shock, fire and/or serious injury.
- » **Save all warnings and instructions for future reference.**

The term "power tool" in the warnings refers to your mains-operated (corded) power tool or battery-operated (cordless) power tool.

2.3.1 WORK AREA SAFETY

- Keep work area clean and well lit.** Cluttered or dark areas invite accidents.
- Do not operate power tools in explosive atmospheres, such as in the presence of flammable liquids, gases or dust.** Power tools create sparks which may ignite the dust or fumes.
- Keep children and bystanders away while operating a power tool.** Distractions can cause you to lose control.



2.3.2 ELECTRICAL SAFETY

- a) **Power tool plugs must match the outlet. Never modify the plug in any way. Do not use any adapter plugs with earthed (grounded) power tools.** Unmodified plugs and matching outlets will reduce risk of electric shock.
- b) **Avoid body contact with earthed or grounded surfaces, such as pipes, radiators, ranges and refrigerators.** There is an increased risk of electric shock if your body is earthed or grounded.
- c) **Do not expose power tools to rain or wet conditions.** Water entering a power tool will increase the risk of electric shock.
- d) **Do not abuse the cord. Never use the cord for carrying, pulling or unplugging the power tool. Keep cord away from heat, oil, sharp edges or moving parts.** Damaged or entangled cords increase the risk of electric shock.
- e) **When operating a power tool outdoors, use an extension cord suitable for outdoor use.** Use of a cord suitable for outdoor use reduces the risk of electric shock.
- f) **If operating a power tool in a damp location is unavoidable, use a residual current device (RCD) protected supply.** Use of an RCD reduces the risk of electric shock.

2.3.3 PERSONAL SAFETY

- a) **Stay alert, watch what you are doing and use common sense when operating a power tool. Do not use a power tool while you are tired or under the influence of drugs, alcohol or medication.** A moment of inattention while operating power tools may result in serious personal injury.
- b) **Use personal protective equipment. Always wear eye protection.** Protective equipment such as a dust mask, non-skid safety shoes, hard hat or hearing protection used for appropriate conditions will reduce personal injuries.
- c) **Prevent unintentional starting. Ensure the switch is in the off-position before connecting to power source and/or battery pack, picking up or carrying the tool.** Carrying power tools with your finger on the switch or energising power tools that have the switch on invites accidents.
- d) **Remove any adjusting key or wrench before turning the power tool on.** A wrench or a key left attached to a rotating part of the power tool may result in personal injury.
- e) **Do not overreach. Keep proper footing and balance at all times.** This enables better control of the power tool in unexpected situations.
- f) **Dress properly. Do not wear loose clothing or jewellery. Keep your hair and clothing away from moving parts.** Loose clothes, jewellery or long hair can be caught in moving parts.
- g) **If devices are provided for the connection of dust extraction and collection facilities, ensure these are connected and properly used.** Use of dust collection can reduce dust-related hazards.
- h) **Do not let familiarity gained from frequent use of tools allow you to become complacent and ignore tool safety principles.** A careless action can cause severe injury within a fraction of a second.

2.3.4 POWER TOOL USE AND CARE

- a) **Do not force the power tool. Use the correct power tool for your application.** The correct power tool will do the job better and safer at the rate for which it was designed.
- b) **Do not use the power tool if the switch does not turn it on and off.** Any power tool that cannot be controlled with the switch is dangerous and must be repaired.
- c) **Disconnect the plug from the power source and/or remove the battery pack, if detachable, from the power tool before making any adjustments, changing accessories, or storing power tools.** Such preventive safety measures reduce the risk of starting the power tool accidentally.
- d) **Store idle power tools out of the reach of children and do not allow persons unfamiliar with the power tool or these instructions to operate the power tool.** Power tools are dangerous in the hands of untrained users.
- e) **Maintain power tools and accessories. Check for misalignment or binding of moving parts, breakage of parts and any other condition that may affect the power tool's operation. If damaged, have the power tool repaired before use.** Many accidents are caused by poorly maintained power tools.
- f) **Keep cutting tools sharp and clean.** Properly maintained cutting tools with sharp cutting edges are less likely to bind and are easier to control.
- g) **Use the power tool, accessories and tool bits etc. in accordance with these instructions, taking into account the working conditions and the work to be performed.** Use of the power tool for operations different from those intended could result in a hazardous situation.
- h) **Keep handles and grasping surfaces dry, clean and free from oil and grease.** Slippery handles and grasping surfaces do not allow for safe handling and control of the tool in unexpected situations.

2.3.5 BATTERY TOOL USE AND CARE

- a) **Recharge only with the charger specified by the manufacturer.** A charger that is suitable for one type of battery pack may create a risk of fire when used with another battery pack.
- b) **Use power tools only with specifically designated battery packs.** Use of any other battery packs may create a risk of injury and fire.
- c) **When battery pack is not in use, keep it away from other metal objects, like paper clips, coins, keys, nails, screws or other small metal objects, that can make a connection from one terminal to another.** Shorting the battery terminals together may cause burns or a fire.
- d) **Under abusive conditions, liquid may be ejected from the battery; avoid contact. If contact accidentally occurs, flush with water. If liquid contacts eyes, additionally seek medical help.** Liquid ejected from the battery may cause irritation or burns.
- e) **Do not use a battery pack or tool that is damaged or modified.** Damaged or modified batteries may exhibit unpredictable behaviour resulting in fire, explosion or risk of injury.





- f) **Do not expose a battery pack or tool to fire or excessive temperature.** Exposure to fire or temperature above 130 °C may cause explosion.
- g) **Follow all charging instructions and do not charge the battery pack or tool outside the temperature range specified in the instructions.** Charging improperly or at temperatures outside the specified range may damage the battery and increase the risk of fire..

2.3.6 SERVICE

- a) **Have your power tool serviced by a qualified repair person using only identical replacement parts.** This will ensure that the safety of the power tool is maintained.
- b) **Never service damaged battery packs.** Service of battery packs should only be performed by the manufacturer or authorized service providers.

2.4 SAFETY INSTRUCTIONS FOR RECIPROCATING SAWS

- a) **Hold the power tool by insulated gripping surfaces when performing an operation where the cutting accessory may come into contact with hidden wiring.** Contact with a „live“ wire can make metal parts of the power tool „live“ and could result in an electric shock.
- b) **Fasten and secure the workpiece to a stable base using clamps or other means.** Holding the workpiece only with your hand or against your body will make it unstable and could result in loss of control.

2.5 ADDITIONAL SAFETY INSTRUCTIONS

The power tool must not be wet and must not be operated in a wet environment. Wear protective gloves and sturdy shoes.

Hold the power tool by insulated gripping surfaces when performing an operation where the cutting accessory may come into contact with hidden wiring.

If the cutting accessory comes into contact with a „live“ wire, exposed metal parts of the power tool can become „live“ and give the operator an electric shock.

DANGER!

» Do not saw materials containing asbestos!


- Wear safety glasses when working with materials that generate large amounts of splinters.
- Wear a protective mask when sawing other fibrous materials.
- Remove adjustment keys and spanners before switching the tool on.
- Secure your workpiece with clamps.
- Only move the device towards the workpiece when it is switched on.
- Hold the device with both hands and make sure that you stand securely when working.
- The device can only be operated when the foot plate is attached. The foot plate must always rest on the workpiece when sawing.
- Incorrect handling can damage the device. Therefore, always follow the instructions below.

- Only use sharp saw blades that are in perfect condition. Immediately replace torn, bent or blunt saw blades.
- The device should only be switched on when a saw blade is attached.
- Do not try to stop the saw blade by pressing on the side after switching it off.
- Only use original accessories.

2.6 BEFORE USE

- Report any damage to your workpiece caused by screws, nails or similar; remove these before starting work.
- Use suitable detection equipment to locate hidden power lines or contact the local utility company (contact with electrical lines can lead to fire and electric shock; damage to a gas line can lead to an explosion; penetration into a water line causes property damage or can cause electric shock).
- Secure the workpiece (a workpiece held in clamps or a vice is more secure than holding it by hand).

2.7 DURING USE

- Hold the power tool by the insulated gripping surfaces  when performing work where the accessory tool or screw can come into contact with hidden power lines (contact with a live wire can also make metal parts of the power tool live and lead to an electric shock).
- In the event of atypical behavior or extraneous noises, switch the tool off immediately or unplug the charger from the socket.

2.8 ADDITIONAL SAFETY INSTRUCTIONS FOR BATTERIES AND CHARGERS

To avoid malfunctions, damage and health impairments, please observe the attached general safety instructions and the following information:

2.8.1 BATTERIES

WARNING!

- » Improper handling of batteries may result in fire, explosion or other hazards.
- » The battery fluid can cause personal injury or property damage. If the solution comes into contact with the skin, immediately rinse with plenty of water. If redness, pain or irritation occurs, seek medical attention. If it comes into contact with the eyes, immediately rinse with clean water and seek medical attention..

- Never attempt to open a battery.
- Do not expose the battery to moisture.
- Do not expose the battery to heat.
- Do not store in a place where the temperature may exceed 40 °C.
- Keep batteries away from children.
- Charge only at ambient temperatures between 10 °C and 40 °C.
- Only charge the battery with the charger (FBT-CLC011) or the USB-C charging cable included in the package.
- Only use the batteries intended for this purpose in the power tools. The use of other batteries can lead to injury and the risk of fire.



- When disposing of batteries, follow the instructions in the "Disposal" section.
- Do not damage or deform the battery - neither by puncturing nor by hitting it - as this may cause injury and a fire.
- Do not charge damaged batteries.
- Handle the battery with care, do not drop it, or subject it to pressure, other mechanical stress, or extreme heat or cold.
- **Warning: risk of accident!** Do not short-circuit the battery, never expose it to moisture and do not store it together with metal objects that could short-circuit the contacts. The battery could become very hot, catch fire or explode.
- The battery cells in the battery pack are not replaceable.

Under extreme conditions, battery fluid may leak. If you notice fluid on the batteries, wipe it off carefully with a cloth. Avoid contact with skin. If fluid does come into contact with skin or eyes, follow the instructions below.

2.8.2 CHARGERS

i A NOTICE

- » Important! USB charger or quick charger are not included.
- » Recommended charging values: 5.0V DC. / 1.8 A (Type C).

The charger is designed for a specific voltage. Always check that the mains voltage matches the voltage on the data plate.

⚠ WARNING!

- » When the charger is not in use and before cleaning and maintenance, unplug the charger from the power socket.

- Never replace the charger with a power plug.
- Only use your charger to charge the type of battery included in the delivery. Other batteries may burst and cause property damage and personal injury.
- Never attempt to charge non-rechargeable batteries.
- If the power cord is damaged, it must be replaced by the manufacturer or a service centre in order to avoid a hazard.
- Have damaged cables replaced immediately.
- Never expose the charger to moisture.
- Do not open the charger.
- Do not put your fingers or any objects into the charger.
- Device/tool/battery must be in a well-ventilated place when charging.
- The charger is intended for indoor use only.

2.9 INTENDED USE

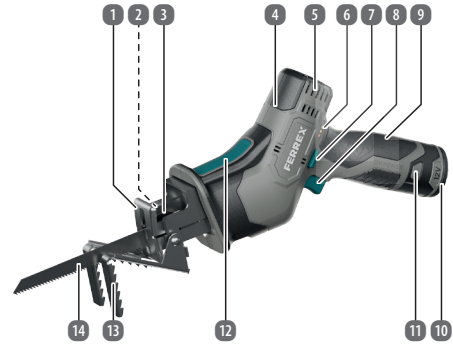
Versatile cordless reciprocating saw for working with wood, metal and plastic. The machine may only be used as intended.

- Only use the product as described in these instructions. Any other use is considered improper and may result in damage to property or even personal injury.
- Potential injuries due to improper use.
- The manufacturer or dealer accepts no liability for damage caused by improper or incorrect use.

3 SCOPE OF DELIVERY

- 1× Cordless reciprocating saw
- 1× Rechargeable battery
- 1× USB-C charging cable
- 1× Saw blade
- 1× Holder
- 1× Operating instructions

4 PRODUCT OVERVIEW



- | | | | |
|---|-------------------------|----|-----------------------------------|
| 1 | Base plate | 8 | On/off switch |
| 2 | Blade holder | 9 | Handle |
| 3 | Blade locking ring | 10 | Battery |
| 4 | Front handle | 11 | Battery release button |
| 5 | Ventilation slots | 12 | Jawed branch clamp release button |
| 6 | Battery level indicator | 13 | Jawed branch clamp |
| 7 | Lock button | 14 | Saw blade |

5 BEFORE FIRST USE

5.1 CHECK THE PRODUCT AND SCOPE OF DELIVERY

⚠ WARNING! CHOKING HAZARD!

- » Keep all packaging materials away from children and pets - these materials pose a potential hazard, such as choking or swallowing small parts.

⚠ CAUTION! RISK OF DAMAGE!

- » Be careful when opening the packaging to avoid damaging the product. Avoid using sharp objects.

1. Remove the product from the packaging.
2. Remove the packaging material and all plastic/protective films.
3. Check whether the delivery is complete (see chapter Scope of delivery).

4. Check whether the product or its parts are damaged. If this is the case, do not use the product. Contact the service centre using the contact details provided on the front page of this manual.

5.2 BASIC CLEANING

1. Before using the product for the first time, clean all parts of the product as described in the Cleaning and Care chapter.

6 OPERATION

6.1 FITTING ACCESSORIES

⚠ WARNING!

- » Disconnect the battery from the tool before carrying out any work on the tool.

6.1.1 FITTING A SAW BLADE

The tool is equipped with a quick fitting system.

- Turn the saw blade locking ring **3** as far to the left as possible and hold it there.
- Insert the saw blade into the blade holder.
- Release the saw blade locking ring.
- When changing the blade, make sure that the blade holder is free of debris (such as wood or metal splinters).
- Always check that the saw blade is securely fastened before use. Removing the saw blade.
- Turn the saw blade locking ring as far to the left as possible and hold it there.
- Remove the saw blade from its holder.
- Release the saw blade locking ring.

6.1.2 BRANCH CLAMP WITH JAWS

The branch clamp with jaws helps you to guide the power tool safely when cutting branches. You are free to carry out sawing work with or without the branch clamp with jaws.

6.1.3 ATTACHING/REMOVING THE BRANCH CLAMP WITH JAWS

1. Attachment:
 - Press the release button of the branch clamp with jaws **12**.
 - Then slide the retaining bracket over the guides of the base plate into the tool.
 - Then ensure that the release button on the branch clamp with jaws **12** cannot be accidentally activated.
2. Removal:
 - Press the release button on the branch clamp with jaws **12** and pull the retaining bracket forwards out of the tool.

6.2 BATTERY

6.2.1 INSERTING THE BATTERY

Push the charged battery into the battery holder until it clicks into place.

6.2.2 REMOVING THE BATTERY

To remove the battery, press the battery release buttons and pull the battery out. Do not use force when doing so.

6.3 OPERATION

⚠ WARNING!

- » Always follow the safety instructions and applicable safety laws.
- » Make sure that the saw blade does not rest on or touch other objects when the device is switched on.

6.3.1 SWITCHING ON

- Press the lock button **7** and the on/off switch **8**.
- You can continuously control the stroke rate using the on/off switch **8**. The further you press the switch, the higher the stroke rate.

6.3.2 SWITCHING OFF

- Release the lock button **7** and the on/off switch **8**.

6.3.3 TIPS FOR SAWING

- Adjust the saw blade and stroke speed according to the material to be processed. For precise circular curves, it is best to use a narrow saw blade. When sawing metal, wow and flutter can be counteracted by applying coolant or lubricant along the cutting line.
- Before sawing, inspect wood, chipboard, building materials, etc. for foreign objects (nails, screws, etc.) and remove them if necessary.
- Clamp the material firmly. Do not support the workpiece with your hand or foot. Do not touch objects or the floor with the running saw (risk of kickback).
- Place the foot plate on the surface of the workpiece and saw through it with a constant contact pressure or feed. If the saw blade becomes blocked, switch the device off immediately. Widen the gap with a suitable tool and pull out the saw blade.
- When you have finished working, switch the device off and do not put it down until it has come to a complete stop.

6.3.4 PLUNGE CUTTING

- Plunge cutting may only be used on soft materials such as wood, aerated concrete, plasterboard, etc.
- However, this requires a certain amount of experience and is only possible with short saw blades.
- Place the saw on the workpiece and switch it on.
- Make sure that the lower edge of the foot plate rests on the workpiece surface.
- Slowly saw into the workpiece at an angle by bringing the saw into a vertical position and continuing to saw along the cutting line.
- Turn off the saw and pick up the workpiece when the work is finished.

6.3.5 FLUSH SAWING

- Elastic bi-metal saw blades allow you to saw off protruding objects (eg water pipes, iron bars, etc.) close to the wall.
- Place the saw blade directly against the wall and bend it slightly so that the foot plate rests directly against the wall.

- Turn on the device and saw off the workpiece, maintaining a constant lateral pressure on the wall.

7 ACCESSORIES

Only use accessories whose permissible speed is at least as high as the highest idle speed of the tool.

8 CLEANING AND CARE

8.1 CLEANING

⚠ CAUTION! RISK OF SHORT CIRCUIT!

- » Remove the battery from the product before cleaning.

⚠ WARNING! RISK OF ELECTRIC SHOCK OR SHORT CIRCUIT!

- » Never immerse the product in water or other liquids. Avoid allowing water or other liquids to enter the housing.

CAUTION! RISK OF DAMAGE!

- » Do not use aggressive cleaning agents, brushes with metal or nylon bristles or sharp or metallic cleaning objects such as knives, hard spatulas and the like. These could damage the surfaces of the product.

8.2 MAINTENANCE AND CARE

⚠ WARNING! RISK OF ELECTRIC SHOCK!

- » Unplug the product before servicing. Any servicing other than that mentioned in this manual should be carried out by a professional repair centre. Contact customer service for servicing.

8.3 STORAGE

CAUTION! RISK OF DAMAGE!

- » Avoid and protect the product from dust, water, moisture, frost, extreme temperatures, high humidity and direct sunlight.
- Before storing, clean all parts as described in the „Cleaning and Care“ chapter.
- Dry the product completely before storing.
- Always store the product in a cool, dry place at an ambient temperature between 5 °C and 20 °C.
- Store the product out of reach of children and pets.

8.4 TRANSPORT

- Protect the product from vibrations or shocks, for example when transporting it in vehicles.
- Secure the product to prevent it from slipping. Use bungee cords, ratchet straps or similar means.

9 TECHNICAL DATA

| | |
|---|-----------------------------------|
| Speed: | 0 – 2500 min ⁻¹ |
| Lifting height: | 20 mm |
| Weight: | 1,04 kg |
| Sound pressure level L_{pA}: | 86,17 dB(A) |
| Uncertainty K_{pA}: | 5 dB(A) |
| Sound power level L_{WA}: | 94,17 dB(A) |
| Uncertainty K_{WA}: | 5 dB(A) |
| HAND-ARM VIBRATION | |
| Chipboard a_{h,B}: | 13,40 m/s ² |
| Wooden beam a_{h,WB}: | 9,051 m/s ² |
| Uncertainty K: | 1,5 m/s ² |
| BATTERY FBT-CLB014 | |
| Voltage: | 12V d.c. |
| Capacity: | 2 Ah, 24 Wh |
| CHARGER FBT-CLC011 (not included in scope of supply) | |
| Input: | 220 – 240 V ~ 50 – 60 Hz, 50 W |
| Output: | 12 V d.c. |
| Charging current: | 2400 mA |

9.1 CHARGING VIA USB

The battery can be charged via a USB-C charger (5.0 V d.c. input, 1.8 A) and/or a USB port.

i NOTICE

- » Only the USB cable is included in the delivery.

10 WASTE DISPOSAL AND RECYCLING

10.1 DISPOSING OF THE PACKAGING



Sort the packaging before you dispose of it. Dispose of paperboard and cardboard with the recycled paper service and wrappings with the appropriate collection service.

The product has been packaged to protect it from damage in transit. The packaging is made of materials that can be recycled in an environmentally friendly manner.

Dispose of the packaging such that it is correctly sorted. Submit cardboard and card to waste paper and foils to the recycling collection.

10.2 DISPOSING OF THE PRODUCT



Old products may not be disposed of in the household waste!

Should the product no longer be capable of being used at some point in time, dispose of it in accordance with the regulations in force in your city or county.

This ensures that old products are recycled in a professional manner and also rules out negative consequences for the environment and human health. For this reason, electrical equipment is marked with the symbol shown here.

10.3 BATTERY DISPOSAL



Batteries may not be disposed of with household waste!

As the end user you are required by law to bring all batteries and rechargeable batteries, regardless whether they contain harmful substances* or not, to a collection point run by the city or county, or to a retailer, so that they can be disposed of in an environmentally friendly manner.

*labeled with: Cd = cadmium, Hg = mercury, Pb = lead

11 EC-DECLARATION OF CONFORMITY

We, the **Batavia B.V., Weth. Wassebaliestraat 6d, NL-7951 SN Staphorst**, hereby declare under our sole responsibility that the product **Cordless reciprocating saw, Type FBT-CRS006**, complies with the essential safety requirements set forth in the European Directives **2014/30/EU** Electromagnetic Compatibility (EMC), **2006/42/EG** (Machinery), **2011/65/EU** (RoHS), **(EU) 2023/1542** and their amendments. The following harmonized standards have been applied for the conformity assessment:

EN 62841-1:2015+A11

EN 62841-2-11:2016+A1+A11

EN IEC 63000:2018

EN 62133-2:2017+A1:2021

EN IEC 55014-1:2021

EN IEC 55014-2:2021

2006/42/EC, 2014/30/EC, 2011/65/EC

Staphorst, 09 January 2025

Jin Min, QA Representative

Batavia B.V., Weth. Wassebaliestraat 6d,

7951 SN Staphorst, Netherlands

The product and user manual are subject to change. Specifications are subject to change without notice.

12 UK DECLARATION OF CONFORMITY

We, the **Batavia B.V., Weth. Wassebaliestraat 6d, NL-7951 SN Staphorst, Netherlands** declare by our own responsibility that the product **Cordless reciprocating saw, Type FBT-CRS006**, is according to the basic requirements, which are defined in the UK Regulations Supply of Machinery (Safety) Regulations 2008, Electromagnetic Compatibility Regulations 2016, Restriction of the Use of Certain Hazardous Substances in Electrical and Electronic Equipment Regulations 2012 and their amendments.

Staphorst, 09 January 2025

Jin Min, QA Representative

Batavia B.V., Weth. Wassebaliestraat 6d,

7951 SN Staphorst, Netherlands

13 WARRANTY

Please contact our **AFTER SALES SUPPORT** by phone or e-mail before sending in the product.

This allows us to provide support in the event of possible operator errors.

13.1 WARRANTY CONDITIONS

Dear Customer,

The **ALDI warranty** offers you extensive benefits:

| | |
|-------------------------------|--|
| Warranty period: | 3 years from date of purchase. 6 months for wear parts and consumables under normal and proper conditions of use (e.g. rechargeable batteries). |
| Costs: | Free repair/exchange No transport costs |
| Hotline: | 0 1827 438 013 (GB) 0 124 695 20 (IE) (standard national landline call rate) |
| Phone lines available: | Mo - Fri 8 am - 6.30 pm |

Please contact our **AFTER SALES SUPPORT** by phone or e-mail before sending in the device. This allows us to provide support in the event of possible operator errors.

In order to make a claim under the warranty, please send us:

- The faulty item together with the original purchase receipt
- The product with all components included in the packaging



The warranty does not cover damage caused by:

- **Accident or unanticipated events** (e.g. lightning, water, fire)
- **Improper use or transport**
- **Disregard of the safety and maintenance instructions**
- Other **improper treatment** or **modification** of the product

After the expiry of the warranty period, you still have the possibility to have your product repaired at your own expense. If the repair or the estimate of costs is not free of charge you will be informed accordingly in advance.

This warranty does not affect your statutory rights. In the event that a product is received for repair, neither the service company nor the seller will assume any liability for data or settings possibly stored on the product by the customer.







**PRODUCED IN
CHINA FOR** **ALDI STORES LTD.**
PO Box 26,
ATHERSTONE,
WARWICKSHIRE,
CV9 2SH

ALDI STORES (IRELAND) LTD.
PO Box 726,
NAAS,
CO. KILDARE
VISIT US AT WWW.ALDI.COM

MADE IN CHINA

V02/0126